
GARDNER DENVER®

3-1-529
6th Edition
August, 1998

TRIPLEX PLUNGER PUMP

5" STROKE

MODEL

TEE99E

PARTS LIST

Gardner

Denver

**MAINTAIN PUMP RELIABILITY AND PERFORMANCE WITH
GENUINE GARDNER DENVER
PARTS AND SUPPORT SERVICES**

Gardner Denver® and OPI® genuine pump parts are manufactured to original tolerances and designed for optimum dependability. Design and material innovations are the result of years of experience with hundreds of different pump applications. Reliability in materials and quality assurance are incorporated in our genuine replacement parts.

Your authorized Gardner Denver and OPI distributor offers all the backup you'll need. A worldwide network of authorized distributors provides the finest product support in the pump industry.

Your local authorized distributor maintains a large inventory of genuine parts and he is backed up for emergency

parts by direct access to the Gardner Denver Master Distribution Center (MDC) in Memphis, Tennessee.

Your authorized distributor can support your Gardner Denver and OPI pump needs with these services:

1. Trained parts specialists to assist you in selecting the correct replacement parts.
2. Repair and maintenance kits designed with the necessary parts to simplify servicing your pump.

Authorized distributor service technicians are factory-trained and skilled in pump maintenance and repair. They are ready to respond and assist you by providing fast, expert maintenance and repair services.

For the location of your local authorized Gardner Denver and OPI distributor refer to the yellow pages of your phone directory or contact:

Distribution Center:
Gardner Denver
Master Distribution Center
5585 East Shelby Drive
Memphis, TN 38141
Phone: (901) 542-6100
Fax: (901) 542-6159

Factory:
Gardner Denver Machinery
1800 Gardner Expressway
Quincy, IL 62301
Phone: (217) 222-5400
Fax: (217) 224-7814

INSTRUCTIONS FOR ORDERING REPAIR PARTS

When ordering parts, specify Pump MODEL and SERIAL NUMBER (see nameplate on unit). The Serial Number is also stamped on top of the cylinder end of the frame (cradle area).

All orders for Parts should be placed with the nearest authorized distributor.

Where NOT specified, quantity of parts required per pump or unit is one (1); where more than one is required

per unit, quantity is indicated in parenthesis. **SPECIFY EXACTLY THE NUMBER OF PARTS REQUIRED.**

DO NOT ORDER BY SETS OR GROUPS.

To determine the Right Hand and Left Hand side of a pump, stand at the power end and look toward the fluid end. Right Hand and Left Hand are indicated in parenthesis following the part name, i.e. (RH) & (LH), when appropriate.

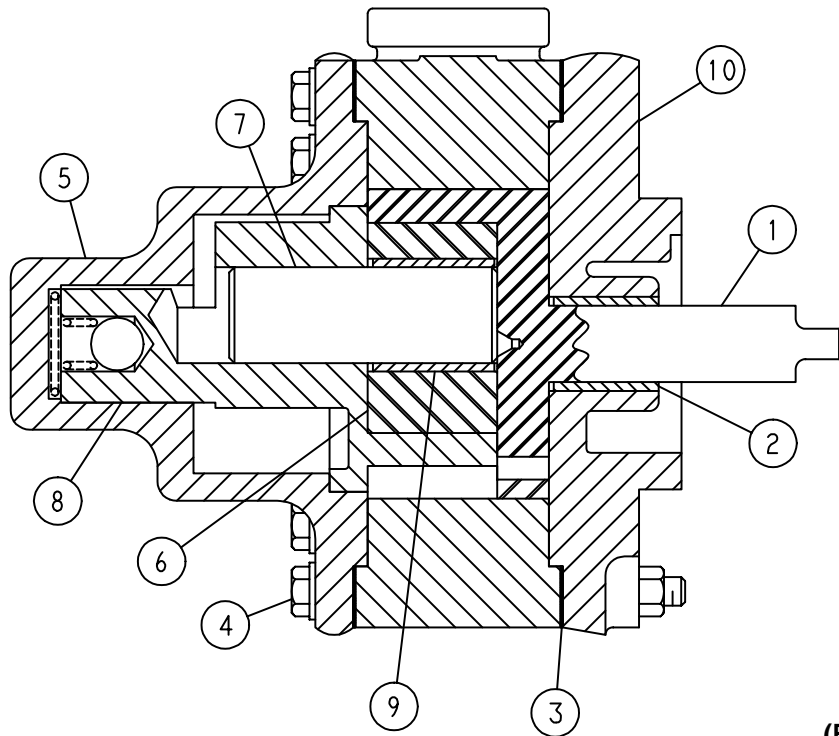
For Operating and Service Instructions see:

SERVICE MANUAL 3-1-606

TABLE OF CONTENTS

	Page
Maintain Pump Reliability and Performance with Genuine Gardner Denver Parts and Support Services	1
Instructions For Ordering Repair Parts	1
Frame Group	3
Oil Circulating Pump	4
Oil Filter	5
Connecting Rod	6
Oil Pump and Piping	7, 8
Eccentric, Shaft & Bearing Group	9
Crosshead & Oil Stop Head Group	10
Mounting and Drive Group For Optional Gear Reducer	11
Optional Gear Box Lubrication Piping	12
Optional Gear Reducer	13
Fluid End (Waterflood Service – Low Pressure Cast Aluminum Bronze Cylinder – 4”)	14
Fluid End (Waterflood Service – Medium Pressure Cast Aluminum Bronze Cylinder – 3”)	15
Fluid End (Waterblast Service – High Pressure Block Steel Cylinder – 2”)	16
Fluid End (Well Service – High Pressure Block Steel Cylinder – 4”)	17
Fluid End (Well Service – High Pressure Cast Steel Cylinder – 3”)	18
Stuffing Box, Plungers & Packing	19 thru 28
Piston and Liners	29
Delrin Disc Fluid Valves For Waterflood Service – Low Pressure Cast Aluminum Bronze Cylinder – 4”)	30
Suction and Discharge Valve (Waterflood Service – Low Pressure Cast Aluminum Bronze Cylinder – 4”)	31
Delrin Disc Fluid Valves For Waterflood Service – Medium Pressure Cast Aluminum Bronze Cylinder – 3”)	32
Suction and Discharge Valve (Waterflood Service – Medium Pressure Cast Aluminum Bronze Cylinder – 3”)	33
Delrin Disc Fluid Valves For Waterblast Service – High Pressure Block Steel Cylinder – 2”)	34
Delrin Disc Fluid Valves For Waterblast Service – High Pressure Block Steel Cylinder – 2”)	35
Suction and Discharge Valve (Waterblast Service – High Pressure Block Steel Cylinder – 2”)	36 thru 39
Suction and Discharge Valve (Well Service – High Pressure Block Steel Cylinder – 4”)	40 thru 43
Suction and Discharge Stainless Steel Abrasion Resistant Valves For Well Service High Pressure Block Steel Cylinder – 4”)	44
Suction and Discharge Valve (Well Service – High Pressure Cast Steel Cylinder – 3”)	45 thru 47
Suction and Discharge Stainless Steel Abrasion Resistant Valves For Well Service High Pressure Cast Steel Cylinder – 3”)	48
Lubricator (Optional Equipment)	49
Valve Seat Puller (Optional Equipment)	50
Piston Rod Wash Piping (Optional Equipment)	51, 52
Customer Repair Information	53
Gardner Denver Unit Record	Inside Back Cover

Order by Part Number and Description. Reference Numbers are shown for your convenience only.



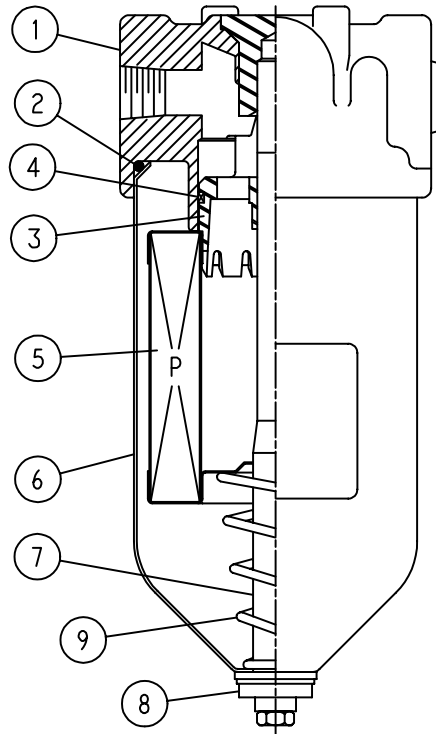
311TEE799
(Ref. Drawing)

OIL CIRCULATING PUMP

Ref. No.	Name of Part	Qty.	Part No.
	OIL CIRCULATING PUMP, Includes Ref. No. 1 thru 10	1	200PEE188
1	ROTOR	1	2109376
2	BUSHING, Bracket	1	_____
3	GASKET, Cover	2	54C222
4	SCREW, Cover Cap	8	_____
5	COVER	1	2109371
6	IDLER CARRIER ASSEMBLY, Includes Ref. No. 7 & 8	1	2109374
7	PIN, Idler	1	2109373
8	CARRIER, Idler	1	2109372
9	BUSHING, Idler	1	_____
10	BRACKET ASSEMBLY, Includes Ref. No. 2	1	2109370

Part Numbers are listed for those parts provided for repair.

Order by Part Number and Description. Reference Numbers are shown for your convenience only.

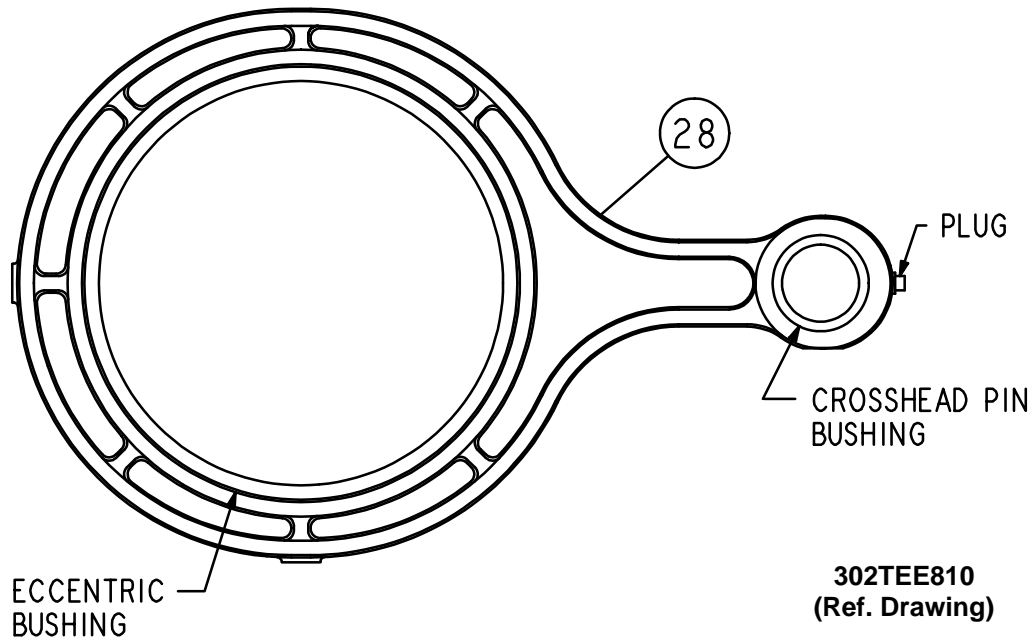


312TEE799
(Ref. Drawing)

OIL FILTER

Ref. No.	Name of Part	Qty.	Part No.
	OIL FILTER ASSEMBLY, Includes Ref. No. 1 thru 9	1	26C12
1	HEAD ASSEMBLY	1	2109408
2	O-RING	1	2117574
3	VALVE ASSEMBLY, Bypass	1	2109125
4	O-RING	1	2117575
5	ELEMENT	1	2109394
6	HOUSING	1	2109409
7	BOLT	1	2109410
8	WASHER-GASKET	1	2109411
9	SPRING-COIL	1	2109127

Order by Part Number and Description. Reference Numbers are shown for your convenience only.

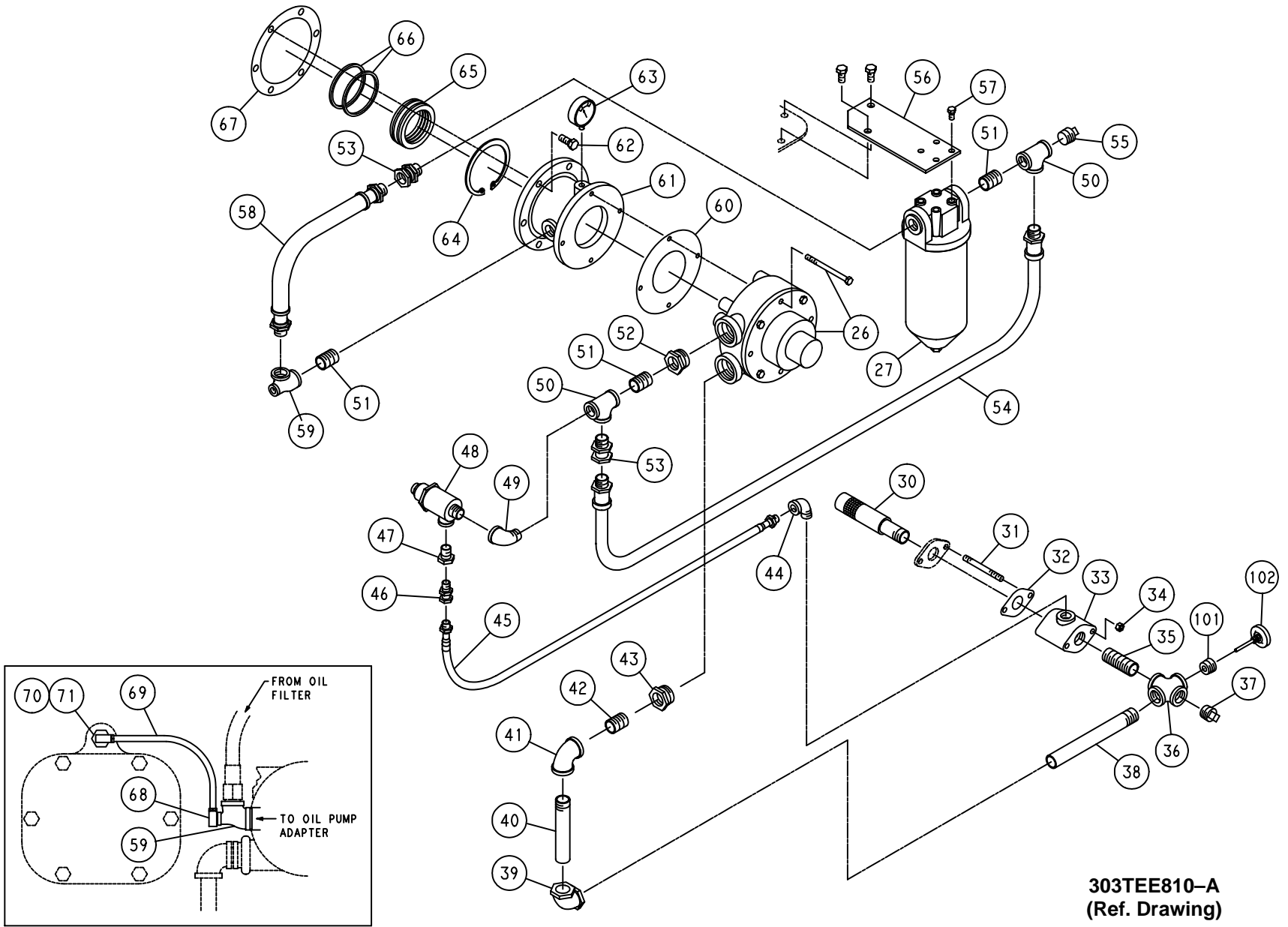


CONNECTING ROD

Ref. No.	Name of Part	Qty.	Part No.
28	CONNECTING ROD, Includes next 4 items	3	PE417
	BUSHING, ECCENTRIC	3	PE421
	BUSHING, Crosshead Pin	3	PE229
	PLUG	3	64AC2
*	LOCK SCREW	3	75LM162N

* Not shown.

OIL PUMP AND PIPING



303TEE810-A
(Ref. Drawing)

Order by Part Number and Description. Reference Numbers are shown for your convenience only.

OIL PUMP AND PIPING

Ref No.	Name of Part	Qty.	Part No.	Ref. No.	Name of Part	Qty.	Part No.
26 **	PUMP-OIL (Includes next item)	1	200PEE188	51	NIPPLE	3	63U12X14
	SCREW, Oil Pump to Adaptor	4	655ED190	52	BUSHING-PIPE	1	64E6
27 *	FILTER-OIL	1	26C12	53	ADAPTOR-HOSE	2	29Q16
30	SCREEN-OIL	1	2WAJ511	54	HYDRAULIC HOSE ASSEMBLY	1	29R26
31	STUD, Connector to Frame	2	79A204	55	PLUG	1	64A24
32	GASKET, Oil Drain Flange	1	25C157N	56	BRACKET-FILTER	1	200TEE389
33	CONNECTOR	1	200PEE284	57	SCREW, BRACKET TO FILTER	4	655ED030
34	NUT, Connector to Frame Stud	2	50B3	58	HYDRAULIC HOSE ASSEMBLY	1	29E12
35	NIPPLE	1	63U16X30	59	TEE	1	64P14
36	CROSS	1	64K18	60	GASKET, Oil Pump to Adaptor	1	201PEE715
37	PLUG	1	64A25	61	ADAPTOR, Oil Pump	1	200PEE170
38	NIPPLE	1	63AP9X94	62	SCREW, Adaptor to Bearing Housing .	6	655EE050
39	ELBOW-PIPE STREET	1	64BC7	63	GAUGE-PRESSURE	1	27A13
40	NIPPLE	1	63AP9X60	64	RING-RETAINING	1	65W10
41	ELBOW	1	64C6	65	SEAL-OIL, Mainshaft	1	1PE447
42	NIPPLE	1	63U16X14	66	RING-PISTON, Oil Seal	2	65A33
43	BUSHING-PIPE	1	64E7	67	SHIM	2	77G16
44	ELBOW-PIPE STREET	1	64D5	68	ELBOW-TUBE	1	86E64
45	HYDRAULIC HOSE ASSEMBLY	1	29R30	69	TUBE	***	85E6A
46	ADAPTOR-HOSE	1	29Q6	70	ELBOW-TUBE	1	86E65
47	BUSHING-PIPE	1	64E95	71	ADAPTOR-NOZZLE	1	201TEE814
48	VALVE-LIQUID RELIEF	1	90Q22	101	BUSHING	1	64E15
49	ELBOW-PIPE STREET	1	64D6	102	GAUGE	1	27H11
50	TEE	2	64G7				

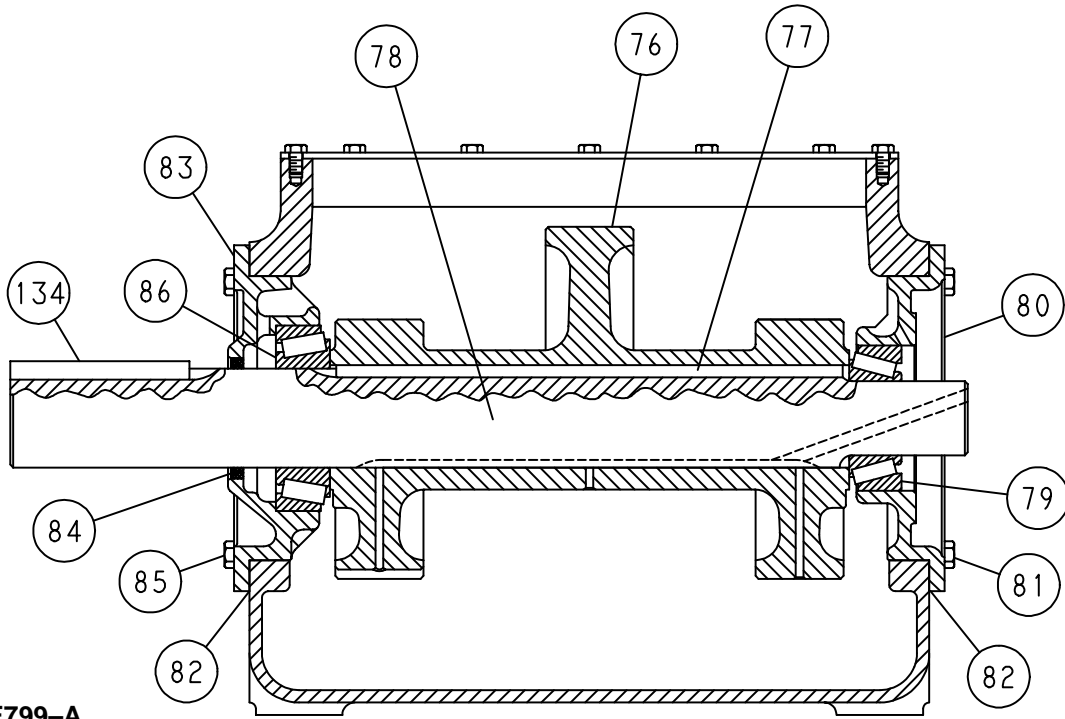
* For Oil Filter and Component parts See Page 5.

** For Oil Pump and Component parts See Page 4.

*** For Right Hand Drive Pump Use 18".

For Left Hand Drive Pump Use 36".

Order by Part Number and Description. Reference Numbers are shown for your convenience only.



313TEE799-A
(Ref. Drawing)

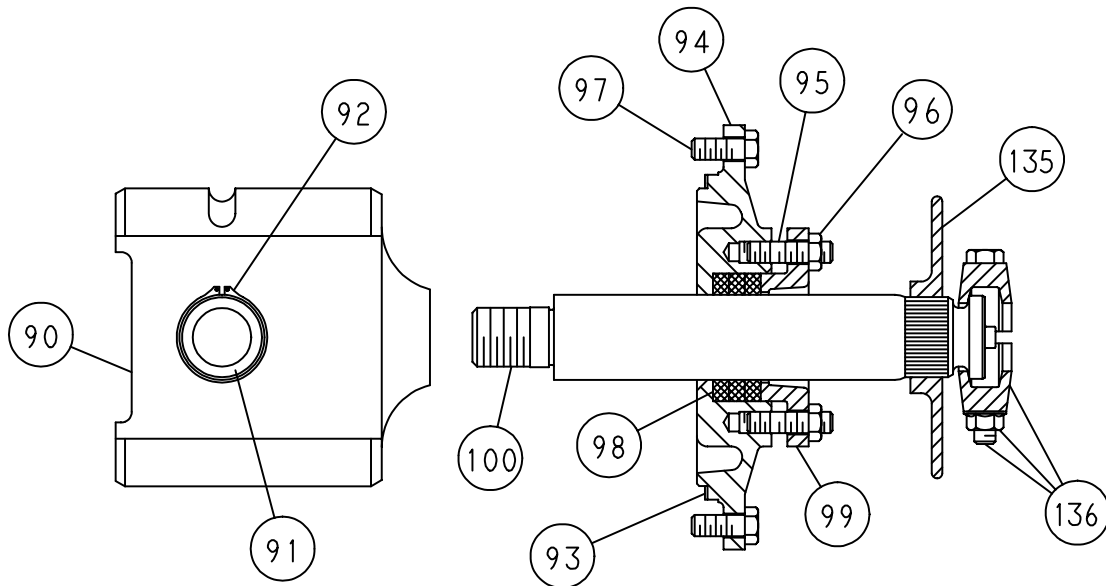
ECCENTRIC, SHAFT & BEARING GROUP

Ref. No.	Name of Part	Qty.	With Optional Gear Reducer Part No. **	Without Gear Reducer Part No.
76	ECCENTRIC (Includes next item)	1	200TEE255	200TEE255
*	ORIFICE	2	200TEE814	200TEE814
77	KEY, Eccentric to Shaft	1	35K17	35K17
78	SHAFT-ECCENTRIC	1	201TGE367	1PE367
79	BEARING, Eccentric Shaft	1	12C60	12C60
80	HOUSING-BEARING (Oil Pump End)	1	2PE366	2PE366
81	SCREW, Bearing Housing to Frame	6	655EF050	655EF050
82	GASKET, Bearing Housing	2	25C1945	25C1945
83	HOUSING-BEARING (Drive End)	1	201TGE006	3PE366
84	SEAL-OIL, Eccentric Shaft	1	—————	60G63
85	SCREW, Bearing Housing to Frame	6	—————	655EF050
86	BEARING, Eccentric Shaft	1	12BA64	12BA64
134	KEY, Drive	1	—————	35B72

* Not shown.

** See pages 11, 12 and 13.

Order by Part Number and Description. Reference Numbers are shown for your convenience only.



300TEE810-B
(Ref. Drawing)

CROSSHEAD & OIL STOP HEAD GROUP

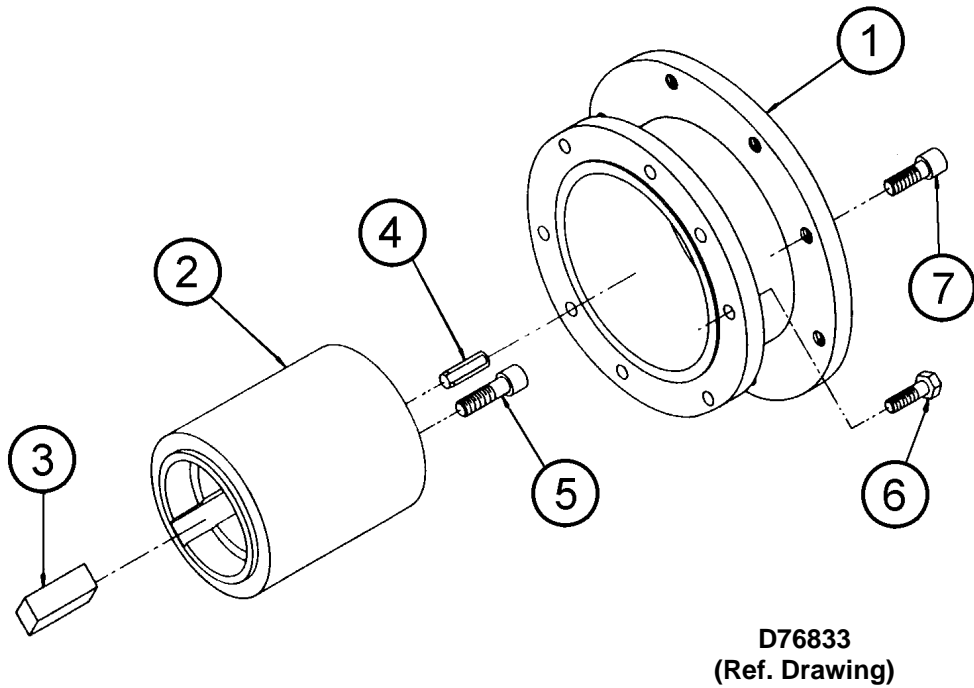
Ref. No.	Name of Part	Qty.	Part No.
90 *	CROSSHEAD (Standard Size)	3	300TEE005
91	PIN-CROSSHEAD	3	2005051
92	RING, Crosshead Pin Retainer	6	65W19
93	GASKET, Stop Head to Frame	3	25C1948
	OIL STOP HEAD ASSEMBLY, Includes Ref. Numbers 94, 95 & 96	3	PE226A
94	OIL STOP HEAD		
95	STUD, Gland	6	79A238
96	NUT, Gland	6	50F5
97	SCREW, Stop Head to Frame	12	655EE050
98	PACKING, Oil Stop Head	3	60DD99
99	GLAND, Oil Stop Head	3	PE238
100	ROD-EXTENSION	3	300TEE839
135 **	BAFFLE, Piston Rod	3	200TAE840
136	PLUNGER COUPLING ASSEMBLY, Includes next two items	3	201TAE092A
	SCREW, Coupling	6	655EE17S
	NUT, Coupling	6	50AW35
***	CROSSHEAD, (0.125" Oversized)	3	301TEE005

* See Note Number 1, page 53, for customer repair information.

** See Note Number 2, page 53, for customer repair information.

*** Not shown. See Note Number 3, page 53, for customer repair information.

Order by Part Number and Description. Reference Numbers are shown for your convenience only.

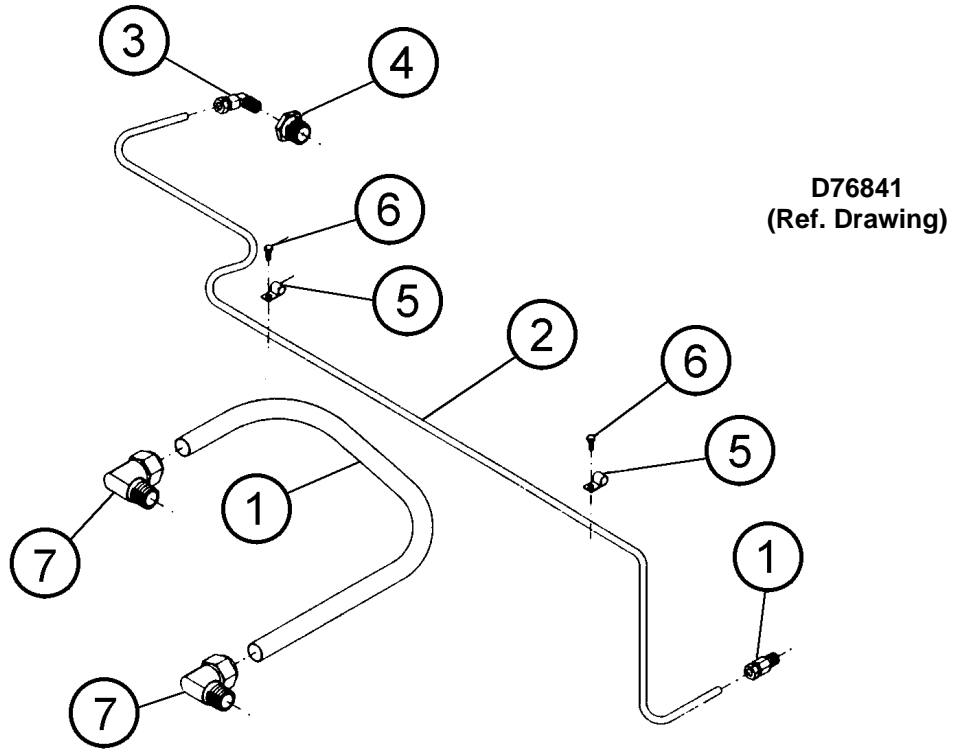


MOUNTING AND DRIVE GROUP FOR OPTIONAL GEAR REDUCER

Ref. No.	Name of Part	Qty.	Part No.
1	ADAPTOR, Gear Reducer to Frame (Drive Side)	1	203TGF170
2	HUB	1	201TGE123
3	KEY, Drive Hub	1	35L32
4	PIN-DOWEL, Hub to Gear Reducer	3	200TGE096
5	SCREW-SOHD CAP, Hub to Gear Reducer	6	75LM170
6	SCREW-HEX CAP, Adaptor to Bearing Housing	6	75A47
7	SCREW-SOHD CAP	8	75P116
*	SHIM, Adaptor to Frame	1	204TGF732
*	SHIM, Gear Reducer to Adaptor	1	203TGF732

* Not shown.

Order by Part Number and Description. Reference Numbers are shown for your convenience only.

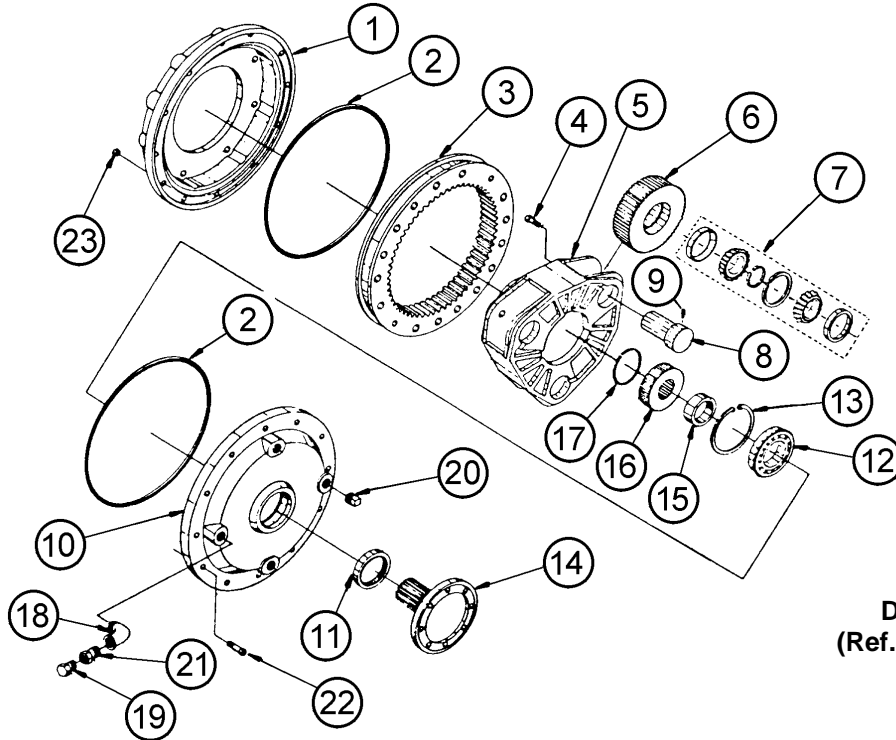


OPTIONAL GEAR BOX LUBRICATION PIPING

Ref. No.	Name of Part	Qty.	Part No.
1	CONNECTOR-TUBE	1	86E6
2	TUBE	66"	85E6A
3	ELBOW-TUBE	1	86E64
4	BUSHING-PIPE	1	64E15
5	CLAMP-TUBE	2	98A1
6	SCREW-TAPPING	2	75LM39
7	ELBOW-TUBE	2	86N116
8	TUBE (Formed)	1	74AUX857
*	FLANGE, Oil Return to Frame	1	74AUX27

* Not shown.

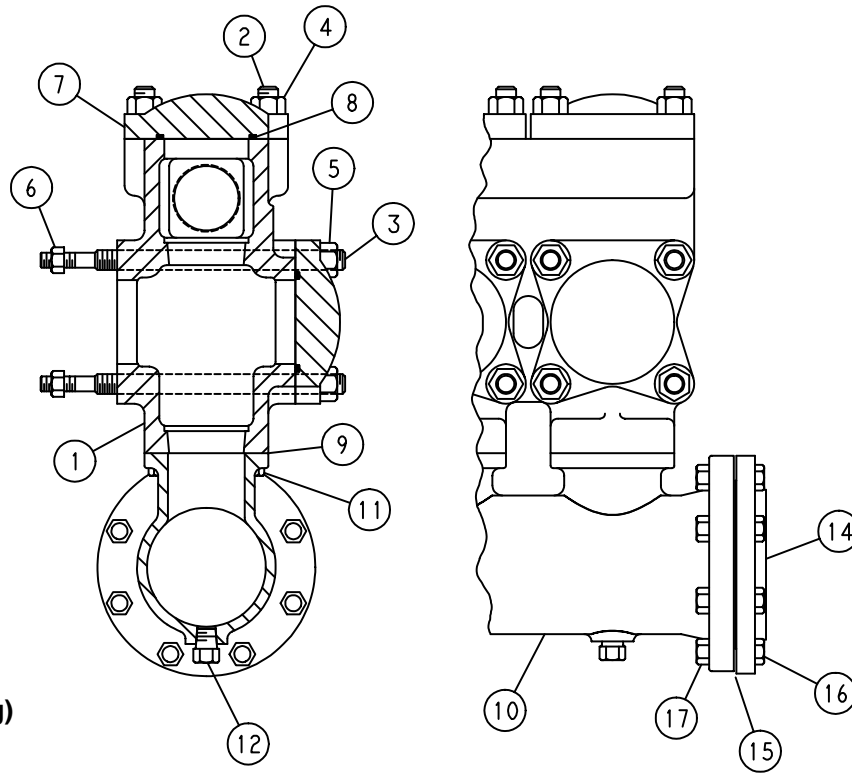
Order by Part Number and Description. Reference Numbers are shown for your convenience only.



OPTIONAL GEAR REDUCER

Ref. No.	Name of Part	Qty.	Part No.
	GEAR REDUCER	1	200TGF601
1	HOUSING-OUTPUT	1	2109726
2	CAGE-PLANETARY	1	2109730
3	O-RING	2	2109727
4	BOLT	3	2109729
5	GEAR-RING	1	2109728
6	GEAR-PLANET	3	2109731
7	BEARING ASSEMBLY	3	2109732
8	SHAFT-PLANET GEAR	3	2109733
9	PIN-ROLL	3	62R85
10	HOUSING-INPUT	1	2109734
11	OIL SEAL	1	60DD107
12	BEARING-BALL	1	12J58
13	SNAP RING	1	2109735
14	INPUT ASSEMBLY	1	2109736
15	SPACER	1	2109737
16	GEAR-SUN	1	2109738
17	RING-RETAINING	1	65W20
18	ELBOW-PIPE STREET	1	64D10
19	BREATHER	1	2109739
20	PLUG-MAGNETIC	1	64BJ5
21	BUSHING-PIPE	1	64E16
22	SCREW-HEX CAP	12	75D147
23	LOCKNUT	12	2109740

Order by Part Number and Description. Reference Numbers are shown for your convenience only.



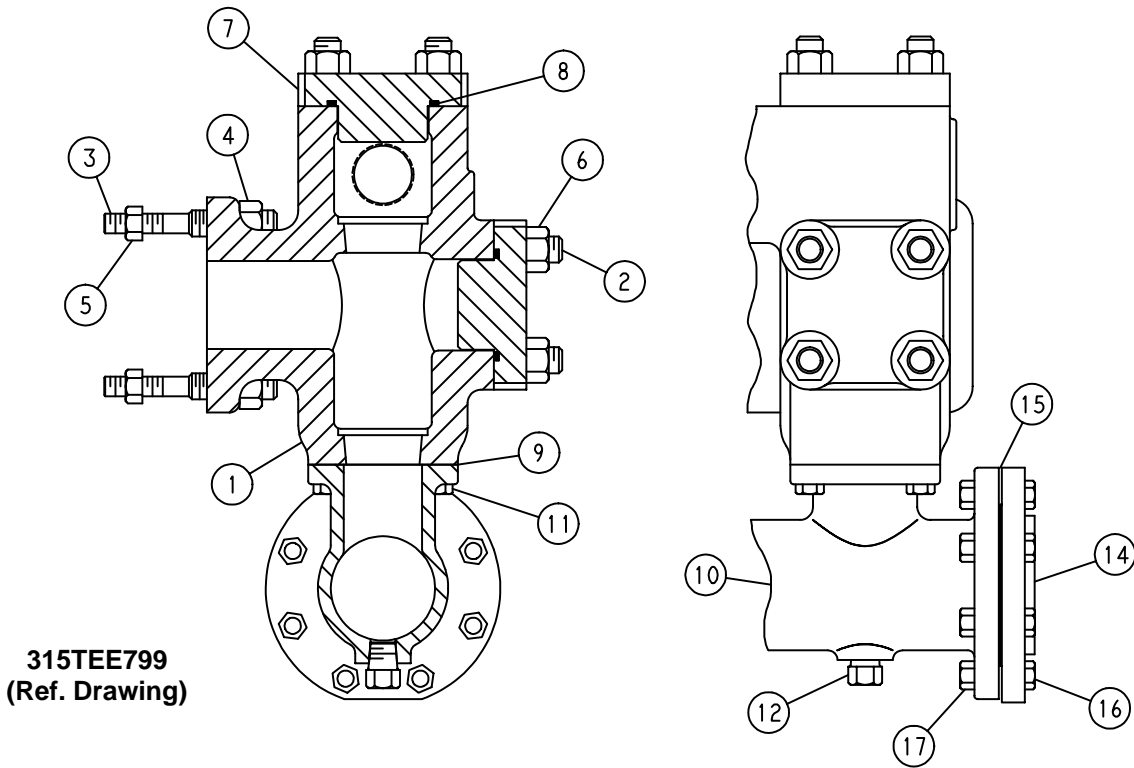
314TEE799
(Ref. Drawing)

FLUID END
(Waterflood Service – Low Pressure Cast Aluminum Bronze Cylinder – 4’')

Ref. No.	Name of Part	Qty.	Part No.
	FLUID CYLINDER ASSEMBLY, Includes Reference Numbers 1 thru 6 . .	1	2PE29B
1	FLUID CYLINDER		
2	STUD, Cylinder to Frame	12	79AB9
3	NUT, Cylinder to Frame	12	50B34
4	NUT, Valve Cover Stud	12	50B10
5	STUD, Valve Cover to Cylinder	12	79L1
6	NUT, Cylinder Stuffing Box	12	50B32
7	COVER-VALVE	6	3PE147
8	GASKET, Valve Cover	6	25AL36
9	GASKET, Manifold to Cylinder	3	25BE18
10	MANIFOLD, Suction	1	8PE110
11	SCREW, Manifold to Cylinder	12	655EF060
12	PLUG, Manifold	3	64AJ16
14	FLANGE, Suction (Steel)	2	64CA13*
15	GASKET, Flange	2	25C861N*
16	SCREW, Suction Flange	16	655EG080*
17	NUT, Flange Screw	16	50B8*

* These parts are not standard equipment, but are furnished when ordered.

Order by Part Number and Description. Reference Numbers are shown for your convenience only.

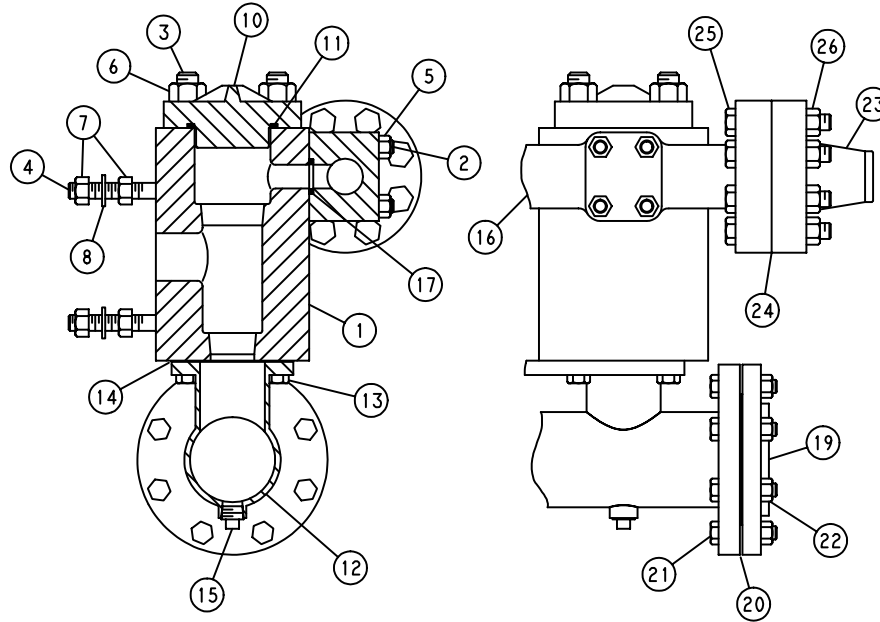


FLUID END
(Waterflood Service – Medium Pressure Cast Aluminum Bronze Cylinder – 3”)

Ref. No.	Name of Part	Qty.	Part No.
	FLUID CYLINDER ASSEMBLY, Includes Reference Numbers 1 thru 6 . . .	1	3PE29B
1	FLUID CYLINDER		
2	STUD, Valve Cover to Cylinder	24	79AJ5
3	STUD, Cylinder to Frame	12	79AB16
4	NUT, Cylinder to Frame Stud	12	50B34
5	NUT, Cylinder Stuffing Box	12	50C9
6	NUT, Valve Cover Stud	24	50B34
7	COVER-VALVE	6	4PE147
8	GASKET, Valve Cover	6	25AL35
9	GASKET, Manifold to Cylinder	3	25BE27
10	MANIFOLD, Suction	1	6PE110
11	SCREW, Manifold to Chamber	12	655EF060
12	PLUG, Manifold	3	64AJ16
14	FLANGE, Suction (Steel)	2	64CA11*
15	GASKET, Manifold Flange	2	25C121N*
16	SCREW, Manifold Flange	16	655EF100*
17	NUT, Manifold Flange Screw	16	50B7*

* These parts are not standard equipment, but are furnished when ordered.

Order by Part Number and Description. Reference Numbers are shown for your convenience only.



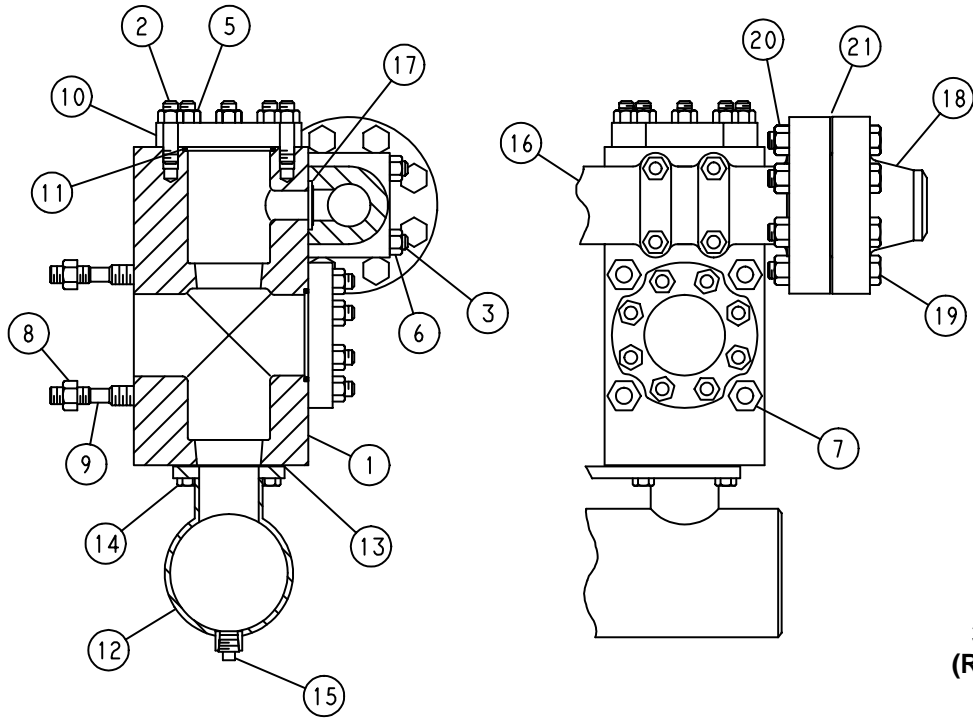
316TEE799
(Ref. Drawing)

FLUID END
(Waterblast Service – High Pressure Block Steel Cylinder – 2”)

Ref. No.	Name of Part	Qty.	Part No.
	FLUID CYLINDER ASSEMBLY, Includes Reference Numbers 1 thru 9 . . .	3	200PEE029B
1	FLUID CYLINDER		
2	STUD, Cylinder to Discharge Manifold	12	79AJ1
3	STUD, Valve Cover	12	79AJ5
4	STUD, Cylinder to Frame & Stuffing Box	12	79AK8
5	NUT, Cylinder to Discharge Manifold Stud	12	50B31
6	NUT, Valve Cover Stud	12	50B34
7	NUT, Cylinder to Frame & Stuffing Box Stud	24	50B32
8	WASHER, Cylinder to Stuffing Box	12	95U8
9	SPACER, Fluid Cylinder to Frame	6	80C44
10	COVER-VALVE	3	7PE147
11	GASKET, Valve Cover	3	25AL35
12	MANIFOLD-SUCTION	1	9PE110
13	SCREW, Suction Manifold to Cylinder	12	655EF060
14	GASKET, Suction Manifold to Cylinder	3	25C1271N
15	PLUG, Suction Manifold	3	64AA3
16	MANIFOLD-DISCHARGE	1	200PEE071
17	GASKET, Cylinder to Discharge Manifold	3	25BC86
19	FLANGE-SUCTION	2	64CA11*
20	GASKET, Suction Flange	2	25C121N*
21	SCREW, Suction Flange	16	655EF110*
22	NUT, Suction Flange Screw	16	50B7*
23	FLANGE, Discharge Manifold	2	2009760*
24	GASKET, Discharge Manifold Flange	2	2009761*
25	SCREW, Discharge Manifold Flange	16	655EG180*
26	NUT, Discharge Manifold Flange Screw	16	50B32

* These parts are not standard equipment, but are furnished when ordered.

Order by Part Number and Description. Reference Numbers are shown for your convenience only.

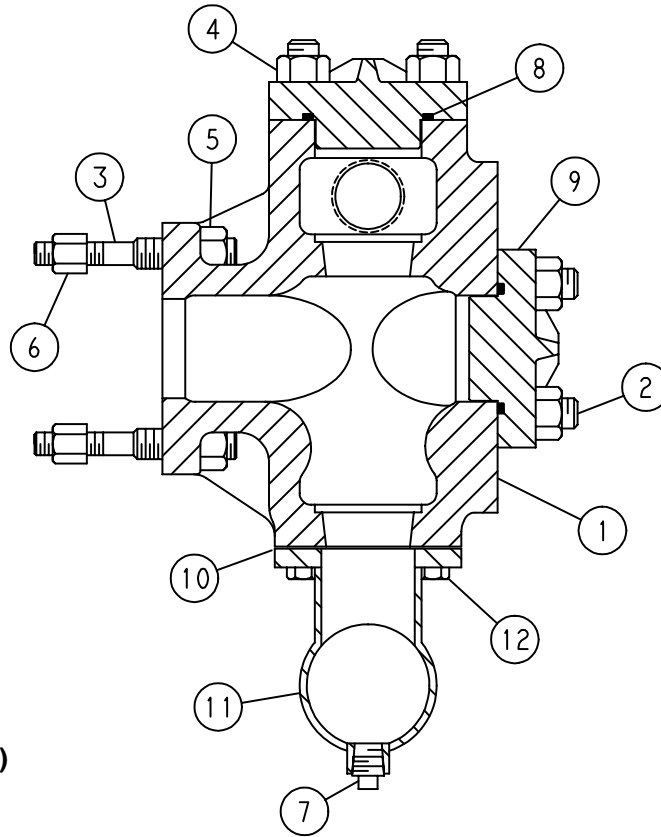


317TEE799
(Ref. Drawing)

FLUID END
(Well Service – High Pressure Block Steel Cylinder – 4”)

Ref. No.	Name of Part	Qty.	Part No.
	FLUID CYLINDER ASSEMBLY, Includes Reference Numbers 1 thru 7 . . .	3	200TEE029B
1	FLUID CYLINDER		
2	STUD, Fluid Cylinder Valve Cover	48	201TEE110
3	STUD, Fluid Cylinder to Discharge Manifold	12	79L96
5	NUT, Valve Cover Stud	48	50B32
6	NUT, Discharge Manifold to Fluid Cylinder Stud	12	50B32
7	NUT, Fluid Cylinder to Frame Stud	12	50B34
8	NUT, Stuffing Box to Fluid Cylinder Stud	12	50AQ30
9	STUD, Fluid Cylinder to Frame & Stuffing Box	12	200TEE110
10	COVER-VALVE	6	200TEE147
11	GASKET, Hydraulic Ring Valve Cover	6	25AL20
12	MANIFOLD-SUCTION	1	200PEE069
13	GASKET, Manifold to Cylinder	3	25C1271N
14	SCREW	12	655EF060
15	PLUG	1	64AA3
16	MANIFOLD-DISCHARGE	1	200TEE071
17	GASKET, Hydraulic Ring Discharge Manifold	3	25AL59
18	FLANGE-DISCHARGE	2	64EB37
19	SCREW	16	75A231
20	NUT	16	50B9
21	GASKET-RING	2	25BC42

Order by Part Number and Description. Reference Numbers are shown for your convenience only.

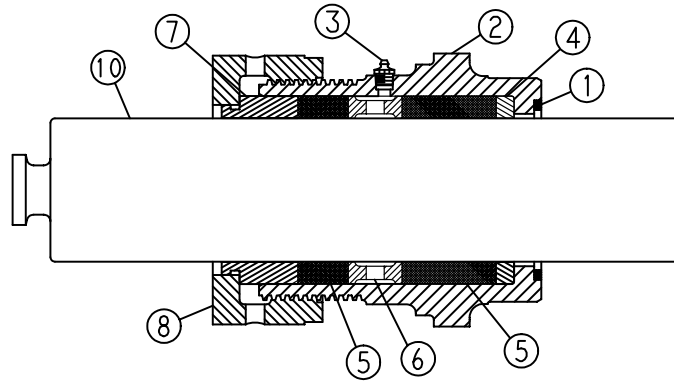


318TEE799
(Ref. Drawing)

FLUID END
(Well Service – High Pressure Cast Steel Cylinder – 3”)

Ref. No.	Name of Part	Qty.	Part No.
	FLUID CYLINDER ASSEMBLY, Includes Reference Numbers 1 thru 6 . . .	1	4PE29B
1	FLUID CYLINDER		
2	STUD, Valve Cover to Cylinder	24	79AJ5
3	STUD, Cylinder to Frame	12	79AB16
4	NUT, Valve Cover to Cylinder Stud	24	50B34
5	NUT, Cylinder to Frame Stud	12	50B34
6	NUT, Stuffing Box to Frame Stud	12	50T90
7	PLUG, Manifold Drain	1	64AA3
8	GASKET, Valve Cover	6	25AL35
9	COVER-VALVE	6	7PE147
10	GASKET, Suction Manifold to Cylinder	3	25C1271N
11	MANIFOLD-SUCTION	1	4PE110
12	SCREW, Suction Manifold to Cylinder	12	655EF060

Order by Part Number and Description. Reference Numbers are shown for your convenience only.



319TEE799-C
(Ref. Drawing)

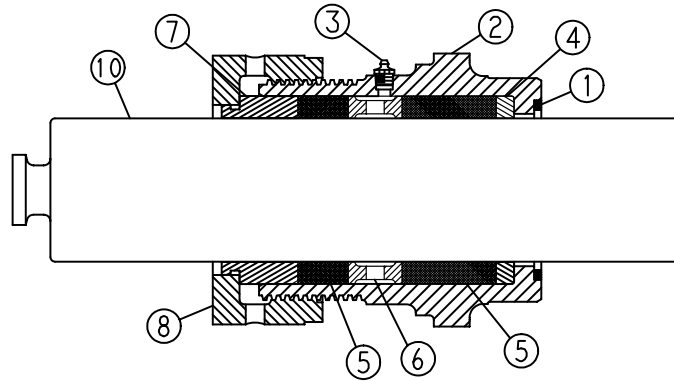
STUFFING BOX, PLUNGERS & PACKING
Low Pressure Cast Aluminum Bronze (Waterflood Service)

Ref. No.	Name of Part	Qty.	4" Part No.	3-1/2" Part No.	3-1/4" Part No.	3" Part No.
PACKING – STYLE 838						
1	GASKET	3	25AL36	25AL36	25AL36	25AL36
2	STUFFING BOX, Incl. Ref. No. 3 ...	3	8PE14	9PE14	23PE14	10PE14
3	FITTING-LUBE	3	40E7	40E7	40E7	40E7
	PACKING ASSEMBLY, Includes Ref. Numbers 4 thru 7	3	63PE1600	64PE1600	51PE1600	65PE1600
4	RING-JUNK	3	38PE317	36PE317	41PE317	26PE317
5	PACKING	3	60BU72	60BU73	60BU71	60BU74
6	SPACER-LANTERN	3	31PE445	33PE445	28PE445	34PE445
7	BUSHING-GLAND	3	28PE152	29PE152	41PE152	30PE152
8	GLAND	3	2PE113	2PE113	3PE113	3PE113
*	PIN, Gland	3	62L72	62L72	62L72	62L72
10	PLUNGER (Colmonoy)	3	1PE3840	1PE3835	1PE3832	1PE3830
10	PLUNGER (Ceramic)	3	PE3840	PE3835	PE3832	PE3830
10	PLUNGER (Chrome Plated)	3	3PE3840	3PE3835	3PE3832	3PE3830

Ref. No.	Name of Part	Qty.	4" Part No.	3-1/2" Part No.	3-1/4" Part No.	3" Part No.
PACKING – STYLE 858						
1	GASKET	3	25AL36	25AL36	25AL36	25AL36
2	STUFFING BOX, Incl. Ref. No. 3 ...	3	8PE14	9PE14	23PE14	10PE14
3	FITTING-LUBE	3	40E7	40E7	40E7	40E7
	PACKING ASSEMBLY, Includes Ref. Numbers 4 thru 7	3	300TEE4060	301TEE4060	302TEE4060	303TEE4060
4	RING-JUNK	3	38PE317	36PE317	41PE317	26PE317
5	PACKING	3	60DD763	60DD761	60DD760	60DD759
6	SPACER-LANTERN	3	31PE445	33PE445	28PE445	34PE445
7	BUSHING-GLAND	3	28PE152	29PE152	41PE152	30PE152
8	GLAND	3	2PE113	2PE113	3PE113	3PE113
*	PIN, Gland	3	62L72	62L72	62L72	62L72
10	PLUNGER (Colmonoy)	3	1PE3840	1PE3835	1PE3832	1PE3830
10	PLUNGER (Ceramic)	3	PE3840	PE3835	PE3832	PE3830
10	PLUNGER (Chrome Plated)	3	3PE3840	3PE3835	3PE3832	3PE3830

* Not shown.

Order by Part Number and Description. Reference Numbers are shown for your convenience only.



319TEE799-C
(Ref. Drawing)

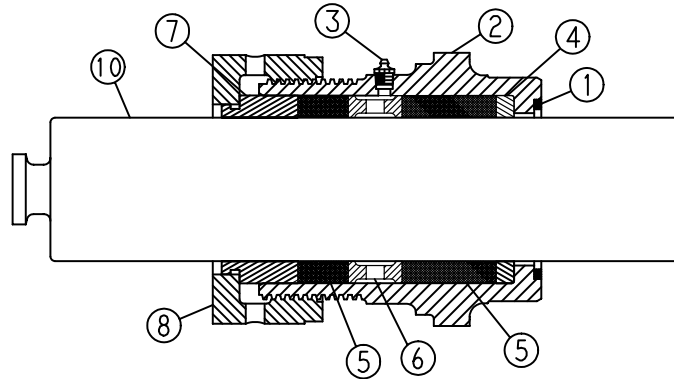
STUFFING BOX, PLUNGERS & PACKING
Medium Pressure Cast Aluminum Bronze (Waterflood Service)

Ref. No.	Name of Part	Qty.	3" Part No.	2-3/4" Part No.	2-1/2" Part No.	2-1/4" Part No.
PACKING – STYLE 838						
1	GASKET	3	25AL36	25AL35	25AL35	25AL35
2	STUFFING BOX, Incl. Ref. No. 3 ...	3	10PE14	11PE14	12PE14	13PE14
3	FITTING-LUBE	3	40E7	40E7	40E7	40E7
	PACKING ASSEMBLY, Includes Ref. Numbers 4 thru 7	3	65PE1600	66PE1600	67PE1600	68PE1600
4	RING-JUNK	3	26PE317	27PE317	28PE317	25PE317
5	PACKING	3	60BU74	60BU75	60BU76	60BU77
6	SPACER-LANTERN	3	34PE445	35PE445	36PE445	37PE445
7	BUSHING-GLAND	3	30PE152	31PE152	32PE152	27PE152
8	GLAND	3	3PE113	3PE113	3PE113	3PE113
*	PIN, Gland	3	62L72	62L72	62L72	62L72
10	PLUNGER (Colmonoy)	3	1PE3830	1PE3827	1PE3825	1PE3822
10	PLUNGER (Ceramic)	3	PE3830	PE3827	PE3825	PE3822
10	PLUNGER (Chrome Plated)	3	3PE3830	3PE3827	3PE3825	3PE3822
Ref. No.	Name of Part	Qty.	3" Part No.	2-3/4" Part No.	2-1/2" Part No.	2-1/4" Part No.

PACKING – STYLE 858						
1	GASKET	3	25AL36	25AL35	25AL35	25AL35
2	STUFFING BOX, Incl. Ref. No. 3 ...	3	10PE14	11PE14	12PE14	13PE14
3	FITTING-LUBE	3	40E7	40E7	40E7	40E7
	PACKING ASSEMBLY, Includes Ref. Numbers 4 thru 7	3	303TEE4060	304TEE4060	305TEE4060	306TEE4060
4	RING-JUNK	3	26PE317	27PE317	28PE317	25PE317
5	PACKING	3	60DD759	60DD758	60DD757	60DD756
6	SPACER-LANTERN	3	34PE445	35PE445	36PE445	37PE445
7	BUSHING-GLAND	3	30PE152	31PE152	32PE152	27PE152
8	GLAND	3	3PE113	3PE113	3PE113	3PE113
*	PIN, Gland	3	62L72	62L72	62L72	62L72
10	PLUNGER (Colmonoy)	3	1PE3830	1PE3827	1PE3825	1PE3822
10	PLUNGER (Ceramic)	3	PE3830	PE3827	PE3825	PE3822
10	PLUNGER (Chrome Plated)	3	3PE3830	3PE3827	3PE3825	3PE3822

* Not shown.

Order by Part Number and Description. Reference Numbers are shown for your convenience only.



319TEE799-C
(Ref. Drawing)

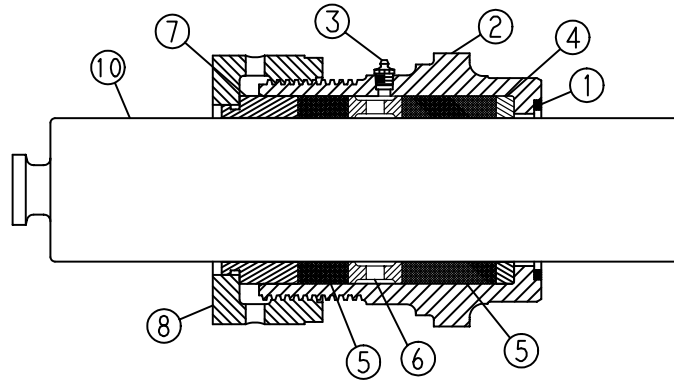
STUFFING BOX, PLUNGERS & PACKING
3 Piece High Pressure Block Steel (Waterblast Service)

Ref. No.	Name of Part	Qty.	2" Part No.	1-3/4" Part No.	1-1/2" Part No.
PACKING – STYLE 838					
1	GASKET	3	25BD3	25BD3	25BD3
2	STUFFING BOX, Includes Ref. No. 3 ...	3	34PE14	35PE14	35PE14
3	FITTING-LUBE	3	40E7	40E7	40E7
	PACKING ASSEMBLY, Includes Ref. Numbers 4 thru 7	3	PS160020	PS160017	PS160015
4	RING-JUNK	3	PQ31720	PQ31717	PQ31715
5	PACKING	3	60BU97	60BU31	60BU98
6	SPACER-LANTERN	3	PQ44520	PQ44517	PQ44515
7	BUSHING-GLAND	3	PS15220	PS15217	PS15215
8	GLAND	3	2011555	2011555	2011555
*	PIN, Stuffing Box Gland Lock	3	62L45	62L45	62L45
10	PLUNGER (Colmonoy)	3	11PE3820	11PE3817	11PE3815

Ref. No.	Name of Part	Qty.	2" Part No.	1-3/4" Part No.	1-1/2" Part No.
PACKING – STYLE 858					
1	GASKET	3	25BD3	25BD3	25BD3
2	STUFFING BOX, Includes Ref. No. 3 ...	3	34PE14	35PE14	35PE14
3	FITTING-LUBE	3	40E7	40E7	40E7
	PACKING ASSEMBLY, Includes Ref. Numbers 4 thru 7	3	307TEE4060	308TEE4060	309TEE4060
4	RING-JUNK	3	PQ31720	PQ31717	PQ31715
5	PACKING	3	60DD768	60DD754	60DD766
6	SPACER-LANTERN	3	PQ44520	PQ44517	PQ44515
7	BUSHING-GLAND	3	PS15220	PS15217	PS15215
8	GLAND	3	2011555	2011555	2011555
*	PIN, Stuffing Box Gland Lock	3	62L45	62L45	62L45
10	PLUNGER (Colmonoy)	3	11PE3820	11PE3817	11PE3815

* Not shown.

Order by Part Number and Description. Reference Numbers are shown for your convenience only.



319TEE799-C
(Ref. Drawing)

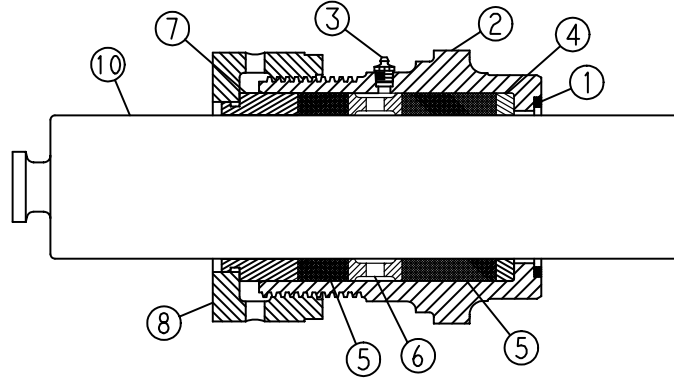
**STUFFING BOX, PLUNGERS & PACKING
3 Piece High Pressure Block Steel (Waterblast Service)**

Ref. No.	Name of Part	Qty.	1-1/4" Part No.
PACKING – STYLE 838			
1	GASKET	3	25BD3
2	STUFFING BOX, Includes Ref. No. 3	3	36PE14
3	FITTING-LUBE	3	40E7
	PACKING ASSEMBLY, Includes Ref. Numbers 4 thru 7	3	PS160012
4	RING-JUNK	3	PQ31712
5	PACKING	3	60BU33
6	SPACER-LANTERN	3	PQ44512
7	BUSHING-GLAND	3	PS15212
8	GLAND	3	2011555
*	PIN, Stuffing Box Gland Lock	3	62L45
10	PLUNGER (Colmonoy)	3	11PE3812

Ref. No.	Name of Part	Qty.	1-1/4" Part No.
PACKING – STYLE 858			
1	GASKET	3	25BD3
2	STUFFING BOX, Includes Ref. No. 3	3	36PE14
3	FITTING-LUBE	3	40E7
	PACKING ASSEMBLY, Includes Ref. Numbers 4 thru 7	3	310TEE4060
4	RING-JUNK	3	PQ31712
5	PACKING	3	60DD752
6	SPACER-LANTERN	3	PQ44512
7	BUSHING-GLAND	3	PS15212
8	GLAND	3	2011555
*	PIN, Stuffing Box Gland Lock	3	62L45
10	PLUNGER (Colmonoy)	3	11PE3812

* Not shown.

Order by Part Number and Description. Reference Numbers are shown for your convenience only.



319TEE799-C
(Ref. Drawing)

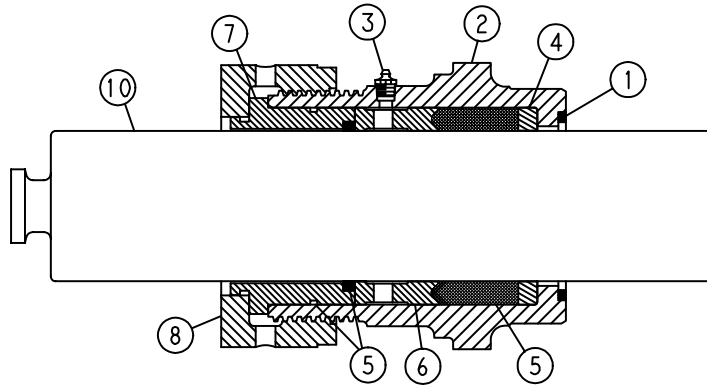
STUFFING BOX, PLUNGERS & PACKING
3 Piece High Pressure Block Steel (Well Service)

Ref. No.	Name of Part	Qty.	4" Part No.	3-1/2" Part No.	3" Part No.	2-3/4" Part No.
PACKING – STYLE 838						
1	GASKET	3	25AL20	25AL20	25AL20	25AL20
2	STUFFING BOX, Incl. Ref. No. 3 ..	3	200TEE014	201TEE014	202TEE014	203TEE014
3	FITTING-LUBE	3	40E7	40E7	40E7	40E7
	PACKING ASSEMBLY, Includes Ref. Numbers 4 thru 7	3	63PE1600	64PE1600	65PE1600	66PE1600
4	RING-JUNK	3	38PE317	36PE317	26PE317	27PE317
5	PACKING	3	60BU72	60BU73	60BU74	60BU75
6	SPACER-LANTERN	3	31PE445	33PE445	34PE445	35PE445
7	BUSHING-GLAND	3	28PE152	29PE152	30PE152	31PE152
8	GLAND	3	200PEE008	200PEE008	4PE113	4PE113
*	PIN-GLAND	3	62L72	62L72	62L72	62L72
10	PLUNGER (Colmonoy)	3	1PE3840	1PE3835	1PE3830	1PE3827
10	PLUNGER (Chrome Plated)	3	3PE3840	3PE3835	3PE3830	3PE3827

Ref. No.	Name of Part	Qty.	2-1/2" Part No.	2-1/4" Part No.	2" Part No.	1-3/4" Part No.
PACKING – STYLE 838						
1	GASKET	3	25AL20	25AL20	25AL20	25AL20
2	STUFFING BOX, Incl. Ref. No. 3 ..	3	204TEE014	205TEE014	206TEE014	207TEE014
3	FITTING-LUBE	3	40E7	40E7	40E7	40E7
	PACKING ASSEMBLY, Includes Ref. Numbers 4 thru 7	3	67PE1600	68PE1600	69PE1600	70PE1600
4	RING-JUNK	3	28PE317	25PE317	29PE317	30PE317
5	PACKING	3	60BU76	60BU77	60BU78	60BU79
6	SPACER-LANTERN	3	36PE445	37PE445	38PE445	39PE445
7	BUSHING-GLAND	3	32PE152	27PE152	33PE152	34PE152
8	GLAND	3	4PE113	4PE113	4PE113	4PE113
*	PIN-GLAND	3	62L72	62L72	62L72	62L72
10	PLUNGER (Colmonoy)	3	1PE3825	1PE3822	1PE3820	1PE3817
10	PLUNGER (Chrome Plated)	3	3PE3825	3PE3822	3PE3820	3PE3817

* Not shown.

Order by Part Number and Description. Reference Numbers are shown for your convenience only.



320TEE799-A
(Ref. Drawing)

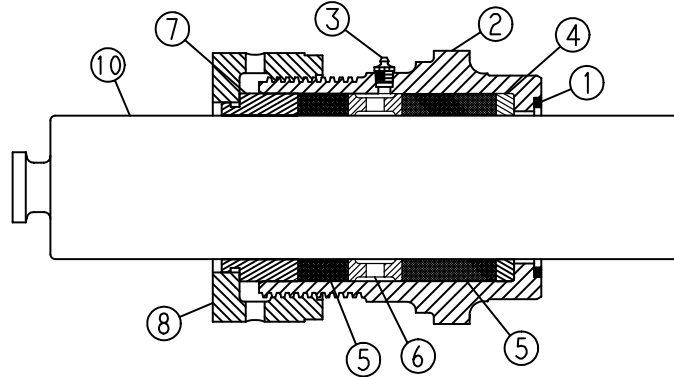
**STUFFING BOX, PLUNGERS & PACKING
3 Piece High Pressure Block Steel (Well Service)**

Ref. No.	Name of Part	Qty.	4" Part No.	3-1/2" Part No.	3" Part No.	2-3/4" Part No.
PACKING – STYLE 1067						
1	GASKET	3	25AL20	25AL20	25AL20	25AL20
2	STUFFING BOX, Incl. Ref. No. 3 ..	3	200TEE014	201TEE014	202TEE014	203TEE014
3	FITTING-LUBE	3	40E7	40E7	40E7	40E7
	PACKING ASSEMBLY, Includes Ref. Numbers 4 thru 7	3	TEE77906	TEE77907	TEE77908	TEE77909
4	RING-JUNK	3	200TEE317	201TEE317	202TEE317	203TEE317
5	PACKING	3	60DD116	60DD115	60DD113	60DD112
6	SPACER-LANTERN	3	200TEE445	201TEE445	202TEE445	203TEE445
7	BUSHING-GLAND	3	200TEE152	201TEE152	202TEE152	203TEE152
8	GLAND	3	200PEE008	200PEE008	4PE113	4PE113
*	PIN-GLAND	3	62L72	62L72	62L72	62L72
10	PLUNGER (Colmonoy)	3	1PE3840	1PE3835	1PE3830	1PE3827
10	PLUNGER (Chrome Plated)	3	3PE3840	3PE3835	3PE3830	3PE3827

Ref. No.	Name of Part	Qty.	2-1/2" Part No.	2-1/4" Part No.	2" Part No.	1-3/4" Part No.
PACKING – STYLE 1067						
1	GASKET	3	25AL20	25AL20	25AL20	25AL20
2	STUFFING BOX, Incl. Ref. No. 3 ..	3	204TEE014	205TEE014	206TEE014	207TEE014
3	FITTING-LUBE	3	40E7	40E7	40E7	40E7
	PACKING ASSEMBLY, Includes Ref. Numbers 4 thru 7	3	TEE77910	TEE77911	TEE77912	TEE77913
4	RING-JUNK	3	204TEE317	205TEE317	206TEE317	207TEE317
5	PACKING	3	60DD111	60DD110	60DD109	60DD108
6	SPACER-LANTERN	3	204TEE445	205TEE445	206TEE445	207TEE445
7	BUSHING-GLAND	3	204TEE152	205TEE152	206TEE152	207TEE152
8	GLAND	3	4PE113	4PE113	4PE113	4PE113
*	PIN-GLAND	3	62L72	62L72	62L72	62L72
10	PLUNGER (Colmonoy)	3	1PE3825	1PE3822	1PE3820	1PE3817
10	PLUNGER (Chrome Plated)	3	3PE3825	3PE3822	3PE3820	3PE3817

* Not shown.

Order by Part Number and Description. Reference Numbers are shown for your convenience only.



319TEE799-C
(Ref. Drawing)

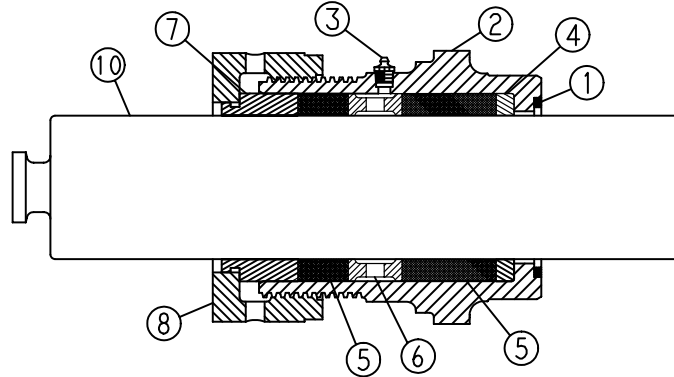
STUFFING BOX, PLUNGERS & PACKING
3 Piece High Pressure Block Steel (Well Service)

Ref. No.	Name of Part	Qty.	4" Part No.	3-1/2" Part No.	3" Part No.	2-3/4" Part No.
PACKING – STYLE 858						
1	GASKET	3	25AL20	25AL20	25AL20	25AL20
2	STUFFING BOX, Incl. Ref. No. 3 ..	3	200TEE014	201TEE014	202TEE014	203TEE014
3	FITTING-LUBE	3	40E7	40E7	40E7	40E7
	PACKING ASSEMBLY, Includes Ref. Numbers 4 thru 7	3	300TEE4060	301TEE4060	303TEE4060	304TEE4060
4	RING-JUNK	3	38PE317	36PE317	26PE317	27PE317
5	PACKING	3	60DD763	60DD761	60DD759	60DD758
6	SPACER-LANTERN	3	31PE445	33PE445	34PE445	35PE445
7	BUSHING-GLAND	3	28PE152	29PE152	30PE152	31PE152
8	GLAND	3	200PEE008	200PEE008	4PE113	4PE113
*	PIN-GLAND	3	62L72	62L72	62L72	62L72
10	PLUNGER (Colmonoy)	3	1PE3840	1PE3835	1PE3830	1PE3827
10	PLUNGER (Chrome Plated)	3	3PE3840	3PE3835	3PE3830	3PE3827

Ref. No.	Name of Part	Qty.	2-1/2" Part No.	2-1/4" Part No.	2" Part No.	1-3/4" Part No.
PACKING – STYLE 858						
1	GASKET	3	25AL20	25AL20	25AL20	25AL20
2	STUFFING BOX, Incl. Ref. No. 3 ..	3	204TEE014	205TEE014	206TEE014	207TEE014
3	FITTING-LUBE	3	40E7	40E7	40E7	40E7
	PACKING ASSEMBLY, Includes Ref. Numbers 4 thru 7	3	305TEE4060	306TEE4060	311TEE4060	312TEE4060
4	RING-JUNK	3	28PE317	25PE317	29PE317	30PE317
5	PACKING	3	60DD757	60DD756	60DD768	60DD767
6	SPACER-LANTERN	3	36PE445	37PE445	38PE445	39PE445
7	BUSHING-GLAND	3	32PE152	27PE152	33PE152	34PE152
8	GLAND	3	4PE113	4PE113	4PE113	4PE113
*	PIN-GLAND	3	62L72	62L72	62L72	62L72
10	PLUNGER (Colmonoy)	3	1PE3825	1PE3822	1PE3820	1PE3817
10	PLUNGER (Chrome Plated)	3	3PE3825	3PE3822	3PE3820	3PE3817

* Not shown.

Order by Part Number and Description. Reference Numbers are shown for your convenience only.



319TEE799-C
(Ref. Drawing)

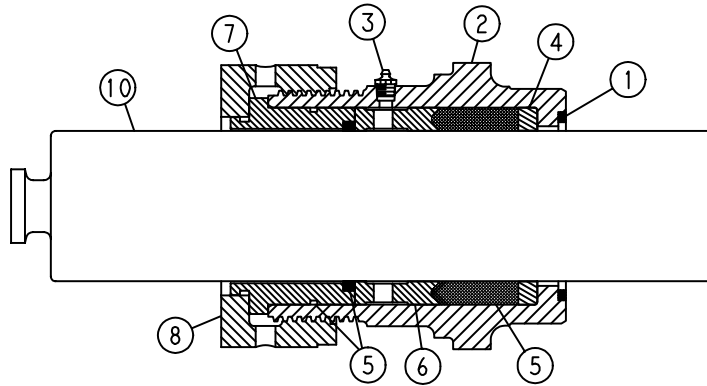
STUFFING BOX, PLUNGERS & PACKING
1 Piece High Pressure Cast Steel (Well Service)

Ref. No.	Name of Part	Qty.	3" Part No.	2-3/4" Part No.	2-1/2" Part No.
PACKING – STYLE 838					
1	GASKET	3	25AL53	25AL53	25AL53
2	STUFFING BOX, Includes Ref. No. 3 ...	3	25PE14	26PE14	27PE14
3	FITTING-LUBE	3	40E7	40E7	40E7
	PACKING ASSEMBLY, Includes Ref. Numbers 4 thru 7	3	65PE1600	66PE1600	67PE1600
4	RING-JUNK	3	26PE317	27PE317	28PE317
5	PACKING	3	60BU74	60BU75	60BU76
6	SPACER-LANTERN	3	34PE445	35PE445	36PE445
7	BUSHING-GLAND	3	30PE152	31PE152	32PE152
8	GLAND	3	4PE113	4PE113	4PE113
*	PIN, Gland	3	62L72	62L72	62L72
10	PLUNGER (Colmonoy)	3	1PE3830	1PE3827	1PE3825
10	PLUNGER (Ceramic)	3	PE3830	PE3827	PE3825
10	PLUNGER (Chrome Plated)	3	3PE3830	3PE3827	3PE3825

Ref. No.	Name of Part	Qty.	2-1/4" Part No.	2" Part No.	1-3/4" Part No.
PACKING – STYLE 838					
1	GASKET	3	25AL53	25AL53	25AL53
2	STUFFING BOX, Includes Ref. No. 2 ...	3	28PE14	29PE14	30PE14
3	FITTING-LUBE	3	40E7	40E7	40E7
	PACKING ASSEMBLY, Includes Ref. Numbers 4 thru 7	3	68PE1600	69PE1600	70PE1600
4	RING-JUNK	3	25PE317	29PE317	30PE317
5	PACKING	3	60BU77	60BU78	60BU79
6	SPACER-LANTERN	3	37PE445	38PE445	39PE445
7	BUSHING-GLAND	3	27PE152	33PE152	34PE152
8	GLAND	3	4PE113	4PE113	4PE113
*	PIN, Gland	3	62L72	62L72	62L72
10	PLUNGER (Colmonoy)	3	1PE3822	1PE3820	1PE3817
10	PLUNGER (Ceramic)	3	PE3822	PE3820	PE3817
10	PLUNGER (Chrome Plated)	3	3PE3822	3PE3820	3PE3817

* Not shown.

Order by Part Number and Description. Reference Numbers are shown for your convenience only.



320TEE799-A
(Ref. Drawing)

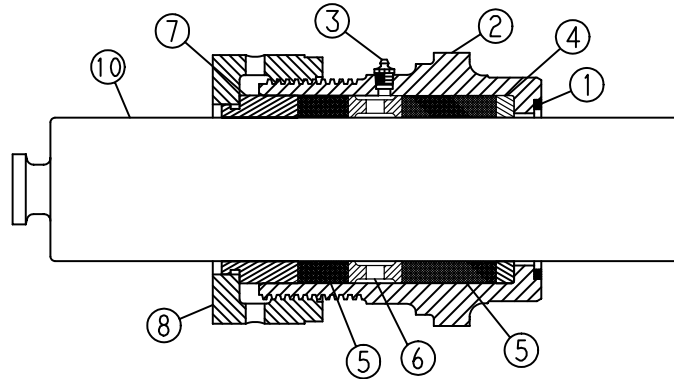
STUFFING BOX, PLUNGERS & PACKING
1 Piece High Pressure Cast Steel (Well Service)

Ref. No.	Name of Part	Qty.	3" Part No.	2-3/4" Part No.	2-1/2" Part No.
PACKING – STYLE 1067					
1	GASKET	3	25AL53	25AL53	25AL53
2	STUFFING BOX, Includes Ref. No. 3 ...	3	25PE14	26PE14	27PE14
3	FITTING-LUBE	3	40E7	40E7	40E7
	PACKING ASSEMBLY, Includes Ref. Numbers 4 thru 7	3	TEE77908	TEE77909	TEE77910
4	RING-JUNK	3	202TEE317	203TEE317	204TEE317
5	PACKING	3	60DD113	60DD112	60DD111
6	SPACER-LANTERN	3	202TEE445	203TEE445	204TEE445
7	BUSHING-GLAND	3	202TEE152	203TEE152	204TEE152
8	GLAND	3	4PE113	4PE113	4PE113
*	PIN, Gland	3	62L72	62L72	62L72
10	PLUNGER (Colmonoy)	3	1PE3830	1PE3827	1PE3825
10	PLUNGER (Ceramic)	3	PE3830	PE3827	PE3825
10	PLUNGER (Chrome Plated)	3	3PE3830	3PE3827	3PE3825

Ref. No.	Name of Part	Qty.	2-1/4" Part No.	2" Part No.	1-3/4" Part No.
PACKING – STYLE 1067					
1	GASKET	3	25AL53	25AL53	25AL53
2	STUFFING BOX, Includes Ref. No. 3 ...	3	28PE14	29PE14	30PE14
3	FITTING-LUBE	3	40E7	40E7	40E7
	PACKING ASSEMBLY, Includes Ref. Numbers 4 thru 7	3	TEE77911	TEE77912	TEE77913
4	RING-JUNK	3	205TEE317	206TEE317	207TEE317
5	PACKING	3	60DD110	60DD109	60DD108
6	SPACER-LANTERN	3	205TEE445	206TEE445	207TEE445
7	BUSHING-GLAND	3	205TEE152	206TEE152	207TEE152
8	GLAND	3	4PE113	4PE113	4PE113
*	PIN, Gland	3	62L72	62L72	62L72
10	PLUNGER (Colmonoy)	3	1PE3822	1PE3820	1PE3817
10	PLUNGER (Ceramic)	3	PE3822	PE3820	PE3817
10	PLUNGER (Chrome Plated)	3	3PE3822	3PE3820	3PE3817

* Not shown.

Order by Part Number and Description. Reference Numbers are shown for your convenience only.



319TEE799-C
(Ref. Drawing)

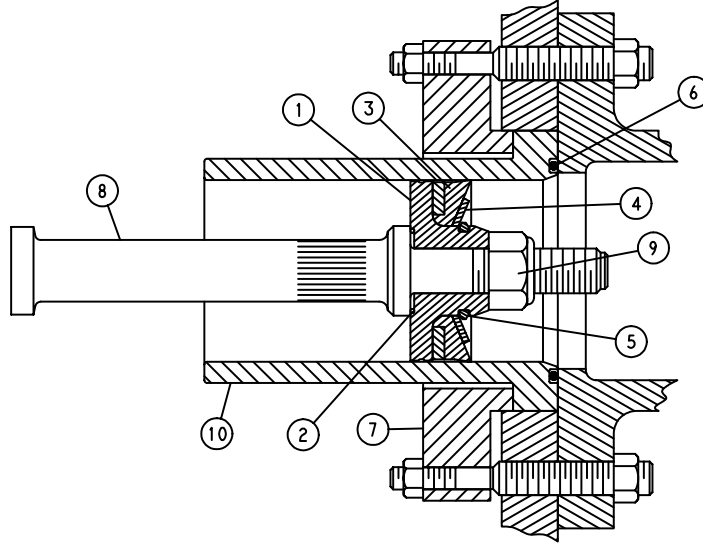
STUFFING BOX, PLUNGERS & PACKING
1 Piece High Pressure Cast Steel (Well Service)

Ref. No.	Name of Part	Qty.	3" Part No.	2-3/4" Part No.	2-1/2" Part No.
PACKING – STYLE 858					
1	GASKET	3	25AL53	25AL53	25AL53
2	STUFFING BOX, Includes Ref. No. 3 ...	3	25PE14	26PE14	27PE14
3	FITTING-LUBE	3	40E7	40E7	40E7
	PACKING ASSEMBLY, Includes Ref. Numbers 4 thru 7	3	303TEE4060	304TEE4060	305TEE4060
4	RING-JUNK	3	26PE317	27PE317	28PE317
5	PACKING	3	60DD759	60DD758	60DD757
6	SPACER-LANTERN	3	34PE445	35PE445	36PE445
7	BUSHING-GLAND	3	30PE152	31PE152	32PE152
8	GLAND	3	4PE113	4PE113	4PE113
*	PIN, Gland	3	62L72	62L72	62L72
10	PLUNGER (Colmonoy)	3	1PE3830	1PE3827	1PE3825
10	PLUNGER (Ceramic)	3	PE3830	PE3827	PE3825
10	PLUNGER (Chrome Plated)	3	3PE3830	3PE3827	3PE3825

Ref. No.	Name of Part	Qty.	2-1/4" Part No.	2" Part No.	1-3/4" Part No.
PACKING – STYLE 858					
1	GASKET	3	25AL53	25AL53	25AL53
2	STUFFING BOX, Includes Ref. No. 2 ...	3	28PE14	29PE14	30PE14
3	FITTING-LUBE	3	40E7	40E7	40E7
	PACKING ASSEMBLY, Includes Ref. Numbers 4 thru 7	3	306TEE4060	211TEE4060	212TEE4060
4	RING-JUNK	3	25PE317	29PE317	30PE317
5	PACKING	3	60DD756	60DD768	60DD767
6	SPACER-LANTERN	3	37PE445	38PE445	39PE445
7	BUSHING-GLAND	3	27PE152	33PE152	34PE152
8	GLAND	3	4PE113	4PE113	4PE113
*	PIN, Gland	3	62L72	62L72	62L72
10	PLUNGER (Colmonoy)	3	1PE3822	1PE3820	1PE3817
10	PLUNGER (Ceramic)	3	PE3822	PE3820	PE3817
10	PLUNGER (Chrome Plated)	3	3PE3822	3PE3820	3PE3817

* Not shown.

Order by Part Number and Description. Reference Numbers are shown for your convenience only.



321TEE799-A
(Ref. Drawing)

PISTON AND LINERS
Well Service – High Pressure Block Steel – 4”
and Well Service – High Pressure Cast Steel – 3”

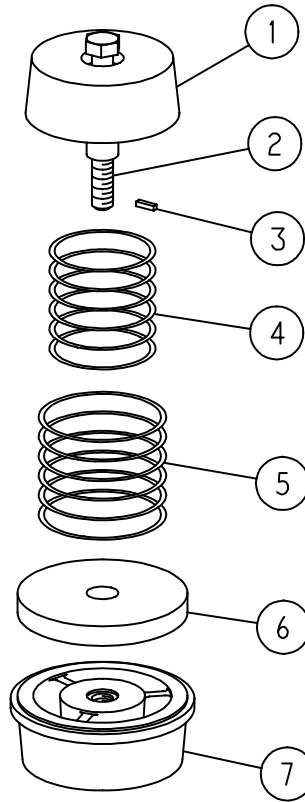
Ref. No.	Name of Part	Qty.	4” Part No.	3-1/2” Part No.	3” Part No.	2-3/4” Part No.
1	PISTON BODY ASSEMBLY, Includes Reference Numbers 2 & 3	3	232TBA045A	230TBA045A	228TBA045A	227TBA045A
2	O-RING	3	25AH1	25AH1	25AH1	25AH1
3	INSERT GROUP, Includes Reference Numbers 4 & 5	3	TBA76008	TBA76006	TBA76004	TBA76003
4	PLATE-RETAINER	3	*	*	*	*
5	RING-RETAINER	3	*	*	*	*
6	GASKET-HYDRAULIC RING	3	25AL36	25AL36	25AL36	25AL36
7	CLAMP-LINER	3	200PEE455	200PEE455	200PEE455	200PEE455
8	PISTON ROD ASSEMBLY, Incl. # 9	3	200PEE060	200PEE060	200PEE060	200PEE060
9	NUT, Piston Rod	3	50V3	50V3	50V3	50V3
10	LINER	3	203PEE456	202PEE456	201PEE456	200PEE456

Ref. No.	Name of Part	Qty.	3” Part No.	2-3/4” Part No.	2-1/2” ** Part No.
1	PISTON BODY ASSEMBLY, Includes Reference Numbers 2 & 3	3	228TBA045A	227TBA045A	45R1
2	O-RING	3	25AH1	25AH1	----
3	INSERT GROUP, Includes Reference Numbers 4 & 5	3	TBA76004	TBA76003	45R8
4	PLATE-RETAINER	3	*	*	----
5	RING-RETAINER	3	*	*	----
6	GASKET-HYDRAULIC RING	3	25AL35	25AL35	25AL35
7	CLAMP-LINER	3	1PE217	1PE217	1PE217
8	PISTON ROD ASSEMBLY, Incl. # 9	3	200PEE060	200PEE060	200PEE060
9	NUT, Piston Rod	3	50V3	50V3	50V3
10	LINER	3	PE13930	2011248	PE13925

* Not to be sold separately

** 2, 4 and 5 are not applicable for 2-1/2” size

Order by Part Number and Description. Reference Numbers are shown for your convenience only.



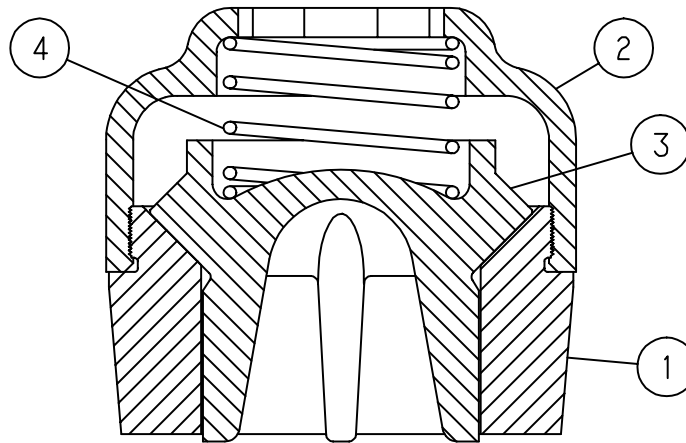
310TEE810-A
(Ref. Drawing)

**DELRIN DISC FLUID VALVES FOR WATERFLOOD SERVICE
LOW PRESSURE CAST ALUMINUM BRONZE CYLINDER – 4”**

Ref. No.	Name of Part	Qty.	Part No.	Part No.	Part No.
	SUCTION & DISCHARGE VALVE		Aluminum Bronze	Stainless Steel	Monel
	FLUID VALVE ASSEMBLY (Includes Reference Numbers 1 thru 7)	6	200VLH482	201VLH482	202VLH482
1	RETAINER	6	2010582	2010583	2010584
2	FASTENER	6	2010598	2010598	2010598
3	PLUG-THREAD LOCK	6	2010602	2010602	2010602
4	SPRING (Inner)	6	2010604	2010604	2010604
5	SPRING (Outer)	6	2010607	2010607	2010607
6	DISC-VALVE	6	2010611	2010611	2010611
7	SEAT-VALVE	6	2010623	2010624	2010625

For above valve use one (1) TEE68700 Valve Puller Group as shown on page 50 and one (1) 100E6 Puller Head.

Order by Part Number and Description. Reference Numbers are shown for your convenience only.



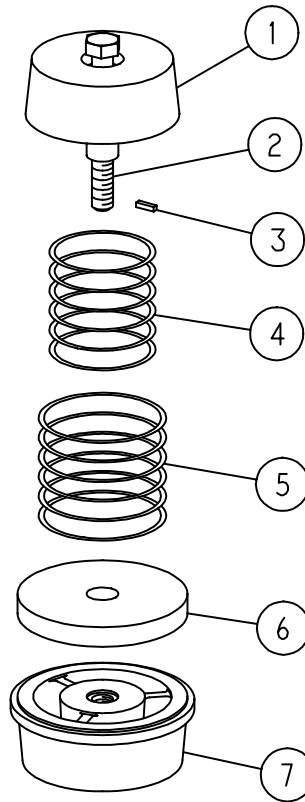
306TEE799
(Ref. Drawing)

SUCTION AND DISCHARGE VALVE
(Waterflood Service – Low Pressure Cast Aluminum Bronze Cylinder – 4")

Ref. No	Name of Part	Qty.	Part No.
ALUMINUM BRONZE – WING GUIDED (WITHOUT INSERT)			
	FLUID VALVE GROUP, Includes Ref. No.1 thru 4	6	208VWH482A
1	SEAT	6	200VWH039
2	CAGE-VALVE	6	200VWH054
3	VALVE-FLUID	6	3PA206
4	SPRING	6	78H29

For above Model use one (1) TEE68699 Valve Puller Group as shown on page 50 and one (1) 200PEE219 Puller Head.

Order by Part Number and Description. Reference Numbers are shown for your convenience only.



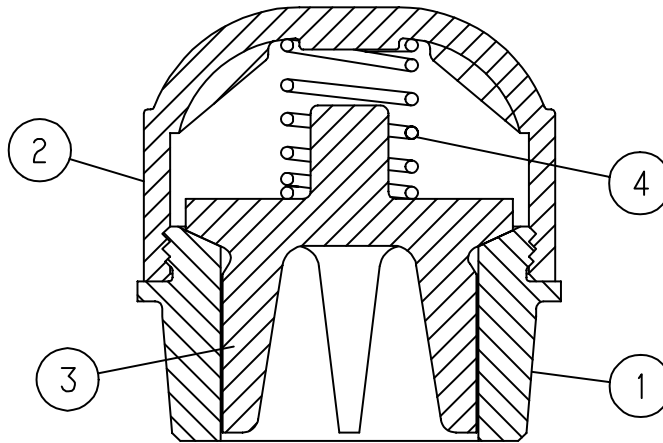
310TEE810-A
(Ref. Drawing)

**DELTRIN DISC FLUID VALVES FOR WATERFLOOD SERVICE
MEDIUM PRESSURE CAST ALUMINUM BRONZE CYLINDER – 3”**

Ref. No.	Name of Part	Qty.	Part No.	Part No.	Part No.
	SUCTION & DISCHARGE VALVE		Aluminum Bronze	Stainless Steel	Monel
	FLUID VALVE ASSEMBLY, Includes Reference Numbers 1 thru 7	6	200VLF482	201VLF482	202VLF482
1	RETAINER	6	2010585	2010586	2010587
2	FASTENER	6	2010598	2010598	2010598
3	PLUG-THREAD LOCK	6	2010602	2010602	2010602
4	SPRING (Inner)	6	2010605	2010605	2010605
5	SPRING (Outer)	6	2010608	2010608	2010608
6	DISC-VALVE	6	2010612	2010612	2010612
7	SEAT-VALVE	6	2010629	2010630	2010631

For above valve use one (1) TEE68700 Valve Puller Group as shown on page 50 and one (1) 100E5 Puller Head.

Order by Part Number and Description. Reference Numbers are shown for your convenience only.



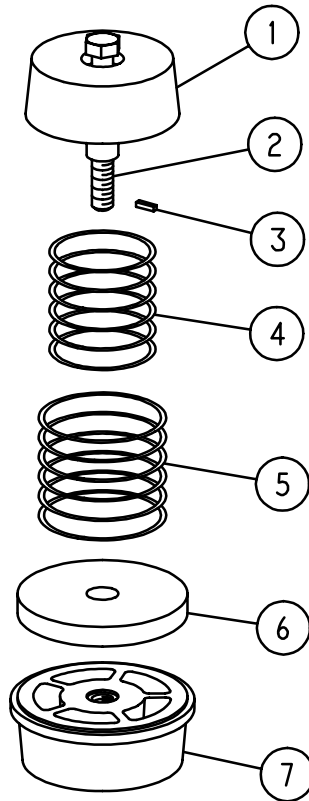
307TEE799
(Ref. Drawing)

SUCTION AND DISCHARGE VALVE
(Waterflood Service – Medium Pressure Cast Aluminum Bronze Cylinder – 3”)

Ref. No	Name of Part	Qty.	Part No.
ALUMINUM BRONZE – WING GUIDED (WITHOUT INSERT)			
	FLUID VALVE GROUP, Includes Ref. No.1 thru 4	6	208VWF482A
1	SEAT	6	200VWF039
2	CAGE-VALVE	6	200VWF054
3	VALVE-FLUID	6	PT206
4	SPRING	6	78H22

For above valve use one (1) TEE68699 Valve Puller Group as shown on page 50 and one (1) 209TAE219 Puller Head.

Order by Part Number and Description. Reference Numbers are shown for your convenience only.



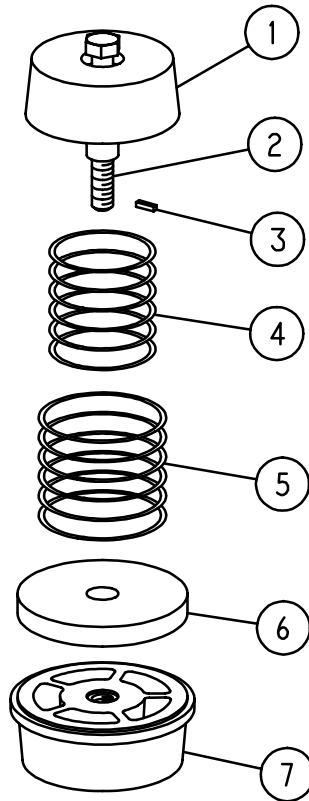
311TEE810-A
(Ref. Drawing)

**DELRIN DISC FLUID VALVES FOR WATERBLAST SERVICE
HIGH PRESSURE BLOCK STEEL CYLINDER – 2”**

Ref. No.	Name of Part	Qty.	Part No.	Part No.	Part No.
	SUCTION VALVE		Aluminum Bronze	Stainless Steel	Monel
	FLUID VALVE ASSEMBLY, Includes Reference Numbers 1 thru 7	3	200VHC482	201VHC482	202VHC482
1	RETAINER	3	2010591	2010592	2010593
2	FASTENER	3	2010600	2010600	2010600
3	PLUG-THREAD LOCK	3	2010603	2010603	2010603
4	SPRING (Inner)	3	2010606	2010606	2010606
5	SPRING (Outer)	3	2116348	2116348	2116348
6	DISC-VALVE	3	2010829	2010829	2010829
7	SEAT-VALVE	3	2010653	2010654	2010655

For above valve use one (1) TEE68699 Valve Puller Group as shown on page 50 and one (1) 205TAE219A Puller Head.

Order by Part Number and Description. Reference Numbers are shown for your convenience only.



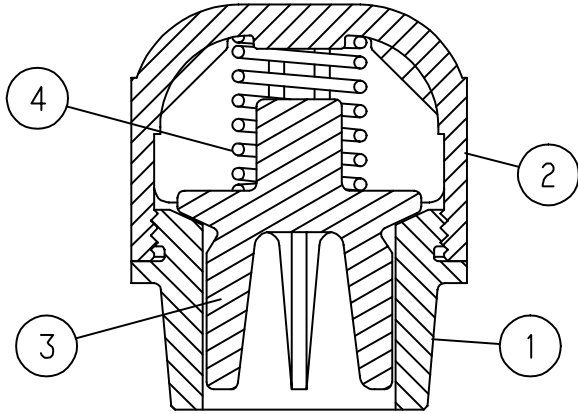
311TEE810-A
(Ref. Drawing)

**DELRIN DISC FLUID VALVES FOR WATERBLAST SERVICE
HIGH PRESSURE BLOCK STEEL CYLINDER – 2”**

Ref. No.	Name of Part	Qty.	Part No.	Part No.	Part No.
	DISCHARGE VALVE		Aluminum Bronze	Stainless Steel	Monel
	FLUID VALVE ASSEMBLY, Includes Reference Numbers 1 thru 7	3	210VHF482	211VHF482	212VHF482
1	RETAINER	3	2010588	2010828	2010590
2	FASTENER	3	2010599	2010599	2010599
3	PLUG-THREAD LOCK	3	2010603	2010603	2010603
4	SPRING (Inner)	3	2010606	2010606	2010606
5	SPRING (Outer)	3	2116348	2116348	2116348
6	DISC-VALVE	3	2010829	2010829	2010829
7	SEAT-VALVE	3	2109442	2109449	2109445

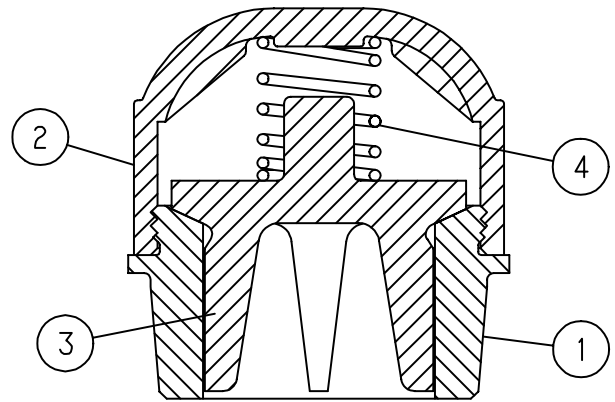
For above valve use one (1) TEE68699 Valve Puller Group as shown on page 50 and one (1) 205TAE219A Puller Head.

Order by Part Number and Description. Reference Numbers are shown for your convenience only.



305TEE799
(Ref. Drawing)

SUCTION VALVE



307TEE799
(Ref. Drawing)

DISCHARGE VALVE

SUCTION VALVE
(Waterblast Service – High Pressure Block Steel Cylinder – 2”)

Ref. No.	Name of Part	Qty.	Part No.
ALUMINUM BRONZE WING GUIDED (WITHOUT INSERT)			
	FLUID VALVE GROUP, Includes Ref. No. 1 thru 4	3	208VWC482A
1	SEAT	3	200VWC039
2	CAGE	3	200VWC054
3	VALVE	3	3PG206
4	SPRING	3	78H24

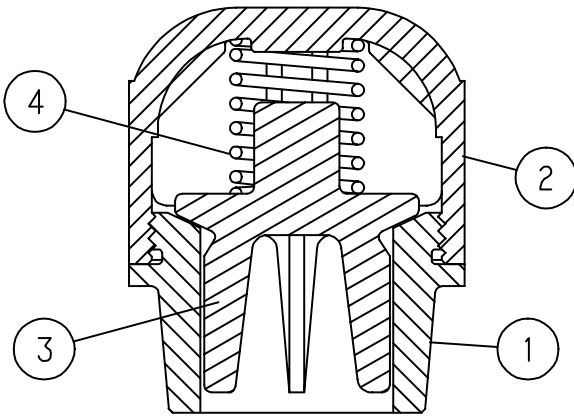
For above valves use one (1) TEE68699 Valve Puller Group as shown on page 50 and one (1) 208TAE219 Puller Head.

DISCHARGE VALVE
(Waterblast Service – High Pressure Block Steel Cylinder – 2”)

Ref. No.	Name of Part	Qty.	Part No.
ALUMINUM BRONZE – WING GUIDED (WITHOUT INSERT)			
	FLUID VALVE GROUP, Includes Ref. No.1 thru 4	3	208VWF482A
1	SEAT	3	200VWF039
2	CAGE-VALVE	3	200VWF054
3	VALVE-FLUID	3	PT206
4	SPRING	3	78H22

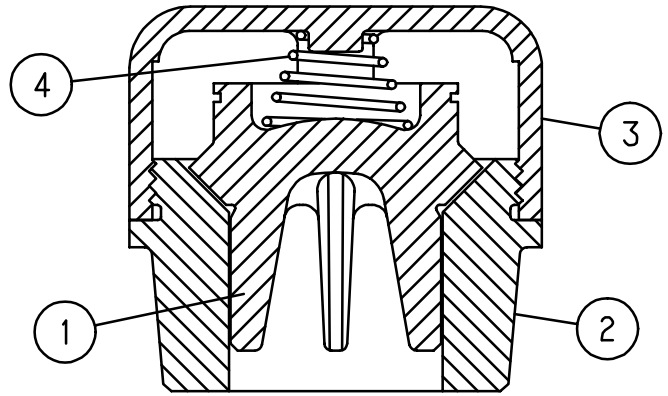
For above valves use one (1) TEE68699 Valve Puller Group as shown on page 50 and one (1) 209TAE219 Puller Head.

Order by Part Number and Description. Reference Numbers are shown for your convenience only.



305TEE799
(Ref. Drawing)

SUCTION VALVE



302TEE799
(Ref. Drawing)

DISCHARGE VALVE

SUCTION VALVE
(Waterblast Service – High Pressure Block Steel Cylinder – 2”)

Ref. No.	Name of Part	Qty.	Part No.
* HARDENED STEEL – WING GUIDED (WITHOUT INSERT)			
	FLUID VALVE GROUP, Includes Ref. No. 1 thru 4	3	210VWC482A
1	SEAT	3	201VWC039
2	CAGE	3	201VWC054
3	VALVE	3	6PG206
4	SPRING	3	78H22

For above valves use one (1) TEE68699 Valve Puller Group as shown on page 50 and one (1) 208TAE219 Puller Head.

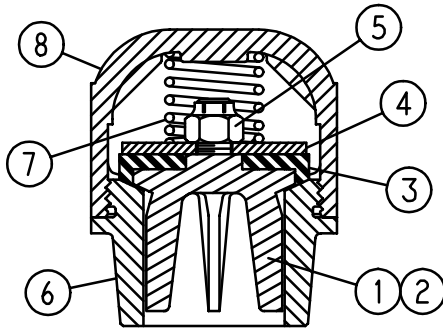
* This valve is for waterblast service and other services requiring steel wing-guided valves without inserts for discharge pressure over 6500 PSIG.

DISCHARGE VALVE
(Waterblast Service – High Pressure Block Steel Cylinder – 2”)

Ref. No.	Name of Part	Qty.	Part No.
HARDENED STEEL – WING GUIDED (WITHOUT INSERT)			
	FLUID VALVE GROUP, Includes Ref. No. 1 thru 4	3	210VWF482A
1	VALVE	3	1PT206
2	SEAT	3	201VWF039
3	CAGE	3	201VWF054
4	SPRING	3	78C39

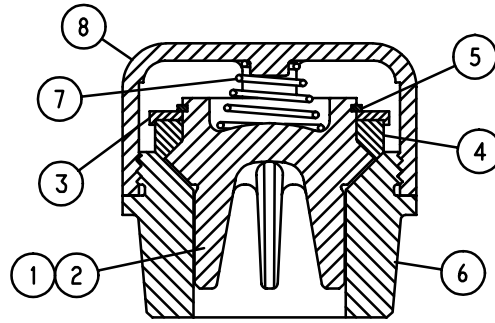
For above valves use one (1) TEE68699 Valve Puller Group as shown on page 50 and one (1) 209TAE219 Puller Head.

Order by Part Number and Description. Reference Numbers are shown for your convenience only.



304TEE799
(Ref. Drawing)

SUCTION VALVE



303TEE799
(Ref. Drawing)

DISCHARGE VALVE

SUCTION VALVE

(Waterblast Service – High Pressure Block Steel Cylinder – 2”)

Ref. No.	Name of Part	Qty.	Part No.
HARDENED STEEL– WING GUIDED (WITH REMOVABLE RUBBER INSERT)			
	FLUID VALVE GROUP, Includes Ref. No. 1 thru 8	3	211VWC482A
1	FLUID VALVE ASSEMBLY, Includes Ref. No. 2 thru 5	3	PG206A
2	VALVE–FLUID	3	PG206
3	INSERT	3	PG452
4	WASHER	3	95D166
5	NUT	3	50AF3
6	SEAT	3	201VWC039
7	SPRING	3	78A148
8	CAGE	3	201VWC054

For above valve use one (1) TEE68699 valve puller group as shown on page 50 and one (1) 208TAE219 puller head.

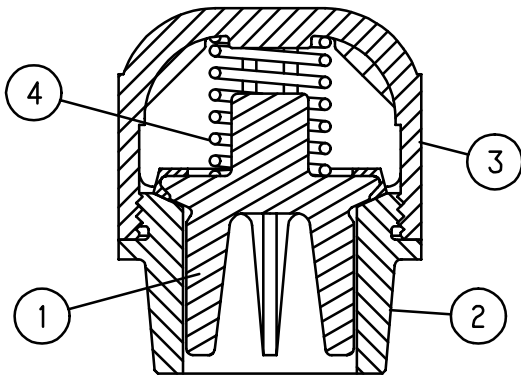
DISCHARGE VALVE

(Waterblast Service – High Pressure Block Steel Cylinder – 2”)

Ref. No.	Name of Part	Qty.	Part No.
HARDENED STEEL – WING GUIDED VALVE (WITH REMOVABLE RUBBER INSERT)			
	FLUID VALVE GROUP, Includes Ref. No. 1 thru 8	3	211VWF482A
1	FLUID VALVE ASSEMBLY, Includes Ref. No. 2 thru 5	3	1PT206C
2	VALVE	3	1PT206
3	WASHER–VALVE	3	PT279
4	INSERT	3	2PT452
5	RING–RETAINING	3	65W19
6	SEAT–VALVE	3	201VWF039
7	SPRING	3	78C39
8	CAGE–VALVE	3	201VWF054

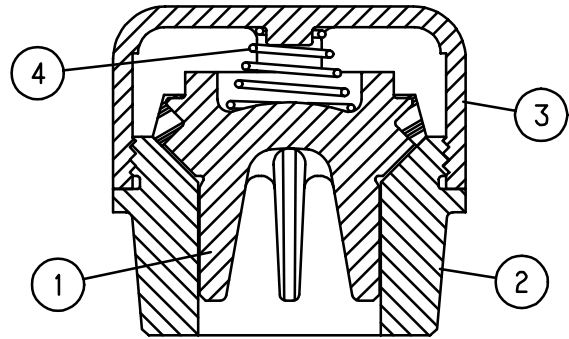
For above valves use (1) TEE68699 Valve Puller Group as shown on page 50 and one (1) 209TAE219 Puller Head.

Order by Part Number and Description. Reference Numbers are shown for your convenience only.



300TEE799
(Ref. Drawing)

SUCTION VALVE



301TEE799
(Ref. Drawing)

DISCHARGE VALVE

SUCTION VALVE

(Waterblast Service – High Pressure Block Steel Cylinder – 2”)

Ref. No.	Name of Part	Qty.	Part No.
HARDENED STEEL – WING GUIDED VALVE (WITH MOLDED ON INSERT)			
	FLUID VALVE GROUP (Includes Items 1 thru 4)	3	VWG90867
1	VALVE–FLUID ASSEMBLY	3	215VWG482
2	SEAT–VALVE	3	201VWC039
3	CAGE VALVE	3	201VWC054
4	SPRING	3	78H22

For above valve use one (1) TEE68699 valve puller group as shown on page 50 and one (1) 208TAE219 puller head.

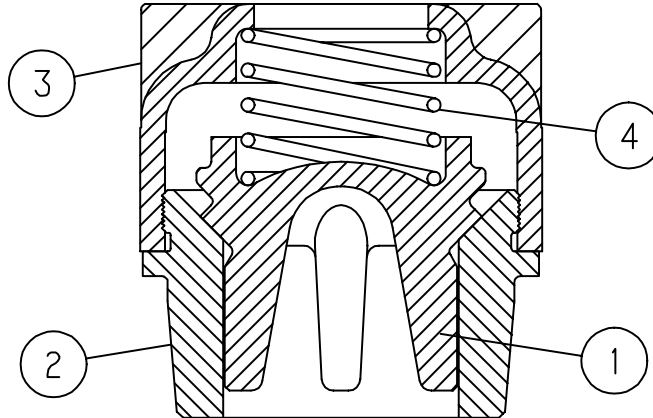
DISCHARGE VALVE

(Waterblast Service – High Pressure Block Steel Cylinder – 2”)

Ref. No.	Name of Part	Qty.	Part No.
HARDENED STEEL – WING GUIDED VALVE (WITH MOLDED ON INSERT)			
	FLUID VALVE GROUP (Includes Items 1 thru 4)	3	VWG90869
1	VALVE–FLUID ASSEMBLY	3	213VWG482
2	SEAT–VALVE	3	201VWF039
3	CAGE VALVE	3	201VWF054
4	SPRING	3	78C39

For above valves use (1) TEE68699 Valve Puller Group as shown on page 50 and one (1) 209TAE219 Puller Head.

Order by Part Number and Description. Reference Numbers are shown for your convenience only.



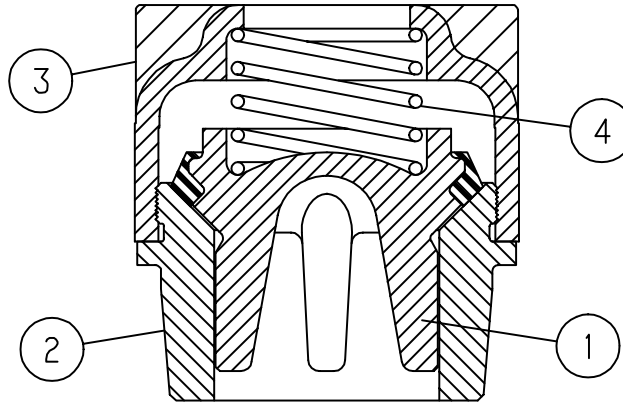
310TEE799
(Ref. Drawing)

SUCTION AND DISCHARGE VALVE
(Well Service – High Pressure Block Steel Cylinder – 4’')

Ref. No.	Name of Part	Qty.	Part No.
CAST STEEL – WING GUIDED (WITHOUT INSERT) FOR HP BLOCK STEEL CYLINDER)			
	FLUID VALVE GROUP, Includes Ref. No. 1 thru 4	6	TGE90021
1	VALVE–FLUID	6	202TEE482
2	SEAT–VALVE	6	200PEE039
3	CAGE–VALVE	6	200PEE054
4	SPRING	6	78H26

NOTE: For these valves use one (1) TEE73494 Valve Puller Group as shown on page 50 and one (1) 200PEE219 Puller Head.

Order by Part Number and Description. Reference Numbers are shown for your convenience only.



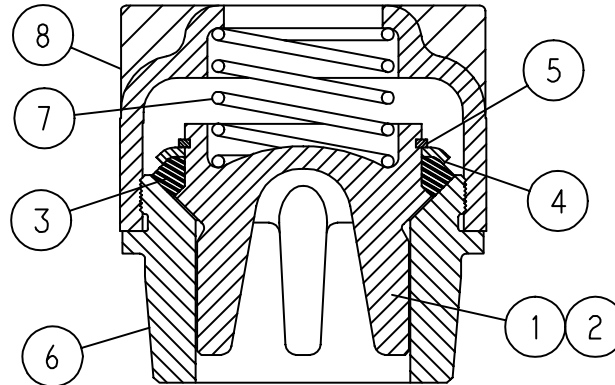
308TEE799
(Ref. Drawing)

SUCTION AND DISCHARGE VALVE
(Well Service – High Pressure Block Steel Cylinder – 4")

Ref. No.	Name of Part	Qty.	Part No.
CAST STEEL – WING GUIDED – MOLDED ON INSERT (WITH CARBOXYLATED RUBBER INSERT)			
	FLUID VALVE GROUP, Includes Ref. No. 1 thru 4	6	TEE90020
1	VALVE–FLUID	6	203TEE482
2	SEAT–VALVE	6	200PEE039
3	CAGE–VALVE	6	200PEE054
4	SPRING	6	78H26

NOTE: For these valves use one (1) TEE73494 Valve Puller Group as shown on page 50 and one (1) 200PEE219 Puller Head.

Order by Part Number and Description. Reference Numbers are shown for your convenience only.



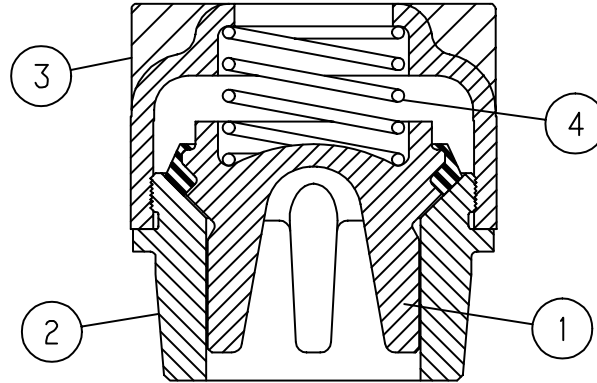
309TEE799
(Ref. Drawing)

SUCTION AND DISCHARGE VALVE
(Well Service – High Pressure Block Steel Cylinder – 4”)

Ref. No.	Name of Part	Qty.	Part No.
CAST STEEL – WING GUIDED (WITH REMOVABLE URETHANE INSERT)			
	FLUID VALVE ASSEMBLY, Includes Ref. No. 1 thru 8	6	200PEE482B
1	FLUID VALVE ASSEMBLY, Includes Ref. No. 2 thru 5	6	200PEE482A
2	VALVE	6	200PEE482
3	INSERT-VALVE	6	1PA452
4	WASHER-VALVE	6	PA1272
5	RING-RETAINING	6	74D43
6	SEAT-VALVE	6	200PEE039
7	SPRING	6	78H26
8	CAGE-VALVE	6	200PEE054

NOTE: For these valves use one (1) TEE73494 Valve Puller Group as shown on page 50 and one (1) 200PEE219 Puller Head.

Order by Part Number and Description. Reference Numbers are shown for your convenience only.



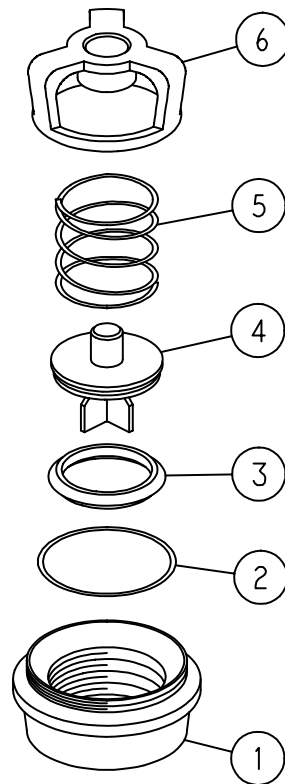
308TEE799
(Ref. Drawing)

SUCTION AND DISCHARGE VALVE
(Well Service – High Pressure Block Steel Cylinder – 4")

Ref. No.	Name of Part	Qty.	Part No.
CAST STEEL – WING GUIDED – MOLDED ON INSERT (WITH POLYURETHANE INSERT)			
	FLUID VALVE GROUP, Includes Ref. No. 1 thru 4	6	TEE90019
1	VALVE-FLUID	6	204TEE482
2	SEAT-VALVE	6	200PEE039
3	CAGE-VALVE	6	200PEE054
4	SPRING	6	78H26

NOTE: For these valves use one (1) TEE73494 Valve Puller Group as shown on page 50 and one (1) 200PEE219 Puller Head.

Order by Part Number and Description. Reference Numbers are shown for your convenience only.



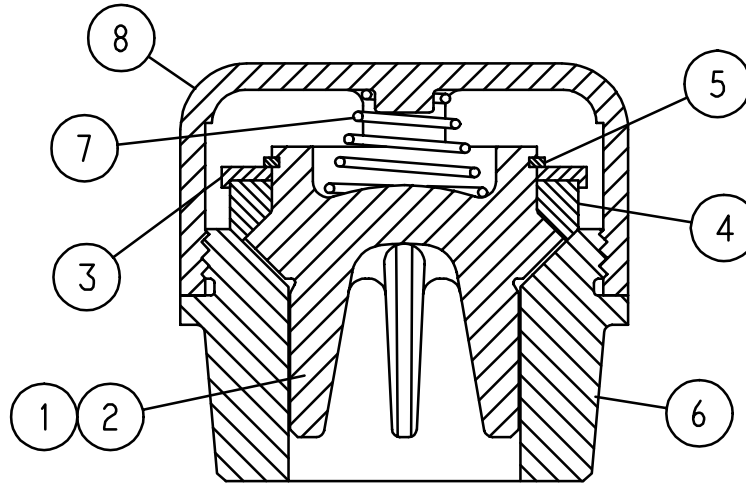
312TEE810-A
(Ref. Drawing)

**SUCTION AND DISCHARGE
STAINLESS STEEL ABRASION RESISTANT VALVES
FOR WELL SERVICE – HIGH PRESSURE BLOCK STEEL CYLINDER – 4”**

Ref. No.	Name of Part	Qty.	Part No.
	FLUID VALVE ASSEMBLY (Includes Reference Numbers 1 thru 6)	6	209TEE482
1	VALVE SEAT	6	2116687
2	O-RING	6	2116520
3	INSERT	6	2116521
4	VALVE	6	2116522
5	SPRING	6	2116523
6	CAGE	6	2116524

For above valve use one (1) TEE73494 Valve Puller Group as shown on page 50 and one (1) 200PEE219 Puller Head.

Order by Part Number and Description. Reference Numbers are shown for your convenience only.



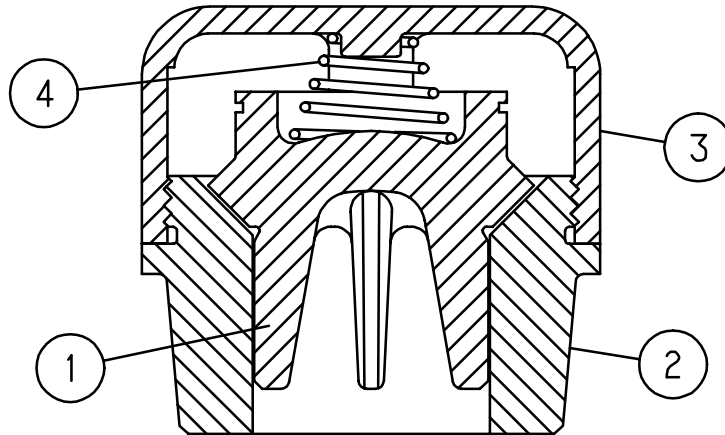
303TEE799
(Ref. Drawing)

SUCTION AND DISCHARGE VALVE
(Well Service – High Pressure Cast Steel Cylinder – 3”)

Ref. No.	Name of Part	Qty.	Part No.
HARDENED STEEL – WING GUIDED VALVE (WITH REMOVABLE RUBBER INSERT)			
	FLUID VALVE GROUP, Includes Ref. No. 1 thru 8	6	211VWF482A
1	FLUID VALVE ASSEMBLY, Includes Ref. No. 2 thru 5	6	1PT206C
2	VALVE	6	1PT206
3	WASHER-VALVE	6	PT279
4	INSERT	6	2PT452
5	RING-RETAINING	6	65W19
6	SEAT-VALVE	6	201VWF039
7	SPRING	6	78C39
8	CAGE-VALVE	6	201VWF054

For above valves use (1) TEE68699 Valve Puller Group as shown on page 50 and one (1) 209TAE219 Puller Head

Order by Part Number and Description. Reference Numbers are shown for your convenience only.



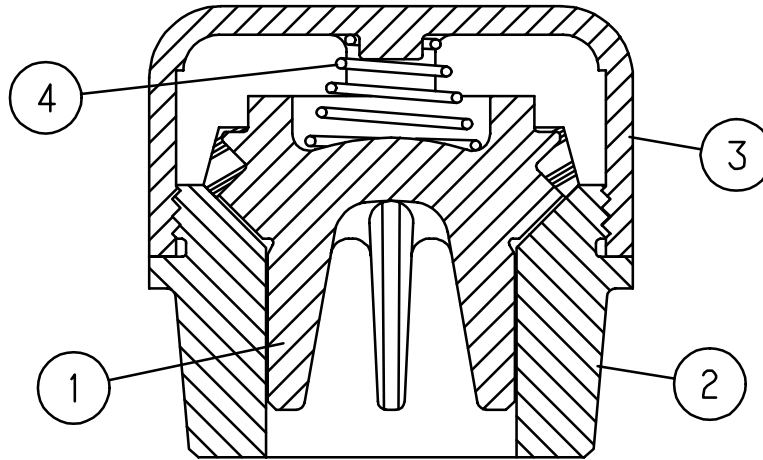
302TEE799
(Ref. Drawing)

SUCTION AND DISCHARGE VALVE
(Well Service – High Pressure Cast Steel Cylinder – 3”)

Ref. No.	Name of Part	Qty.	Part No.
HARDENED STEEL – WING GUIDED (WITHOUT INSERT)			
	FLUID VALVE GROUP, Includes Ref. No. 1 thru 4	6	210VWF482A
1	VALVE	6	1PT206
2	SEAT	6	201VWF039
3	CAGE	6	201VWF054
4	SPRING	6	78C39

For above valves use one (1) TEE68699 Valve Puller Group as shown on page 50 and one (1) 209TAE219 Puller Head

Order by Part Number and Description. Reference Numbers are shown for your convenience only.



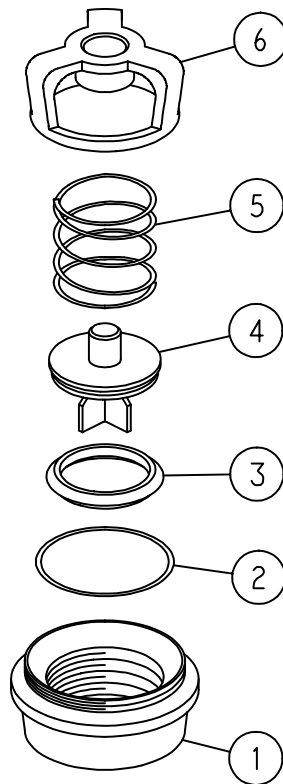
301TEE799
(Ref. Drawing)

**SUCTION AND DISCHARGE VALVE
(Well Service – High Pressure Cast Steel Cylinder – 3”)**

Ref. No.	Name of Part	Qty.	Part No.
HARDENED STEEL – WING GUIDED VALVE (WITH MOLDED ON INSERT)			
	FLUID VALVE GROUP (Includes Items 1 thru 4)	6	VWG90869
1	VALVE-FLUID ASSEMBLY	6	213VWG482
2	SEAT-VALVE	6	201VWF039
3	CAGE VALVE	6	201VWF054
4	SPRING	6	78C39

For above valves use (1) TEE68699 Valve Puller Group as shown on page 50 and one (1) 209TAE219 Puller Head

Order by Part Number and Description. Reference Numbers are shown for your convenience only.



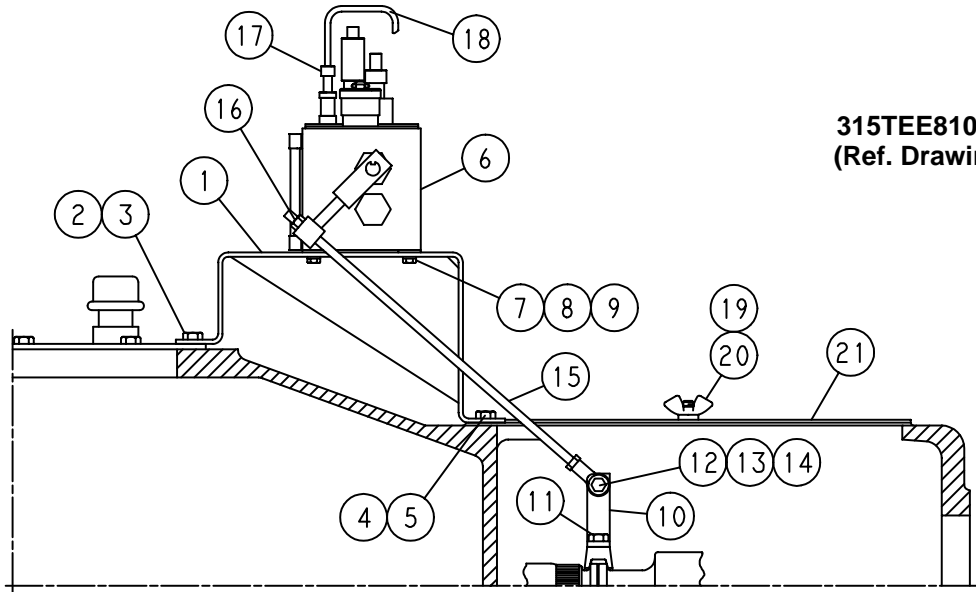
312TEE810-A
(Ref. Drawing)

**SUCTION AND DISCHARGE
STAINLESS STEEL ABRASION RESISTANT VALVES
FOR WELL SERVICE – HIGH PRESSURE CAST STEEL CYLINDER – 3”**

Ref. No.	Name of Part	Qty.	Part No.
	FLUID VALVE ASSEMBLY (Includes Reference Numbers 1 thru 6)	6	208TEE482
1	VALVE SEAT	6	2116561
2	O-RING	6	2116284
3	INSERT	6	2116283
4	VALVE	6	2116347
5	SPRING	6	2116348
6	CAGE	6	2116282

For above valve use one (1) TEE68699 Valve Puller Group as shown on page 50 and one (1) 209TAE219 Puller Head.

Order by Part Number and Description. Reference Numbers are shown for your convenience only.



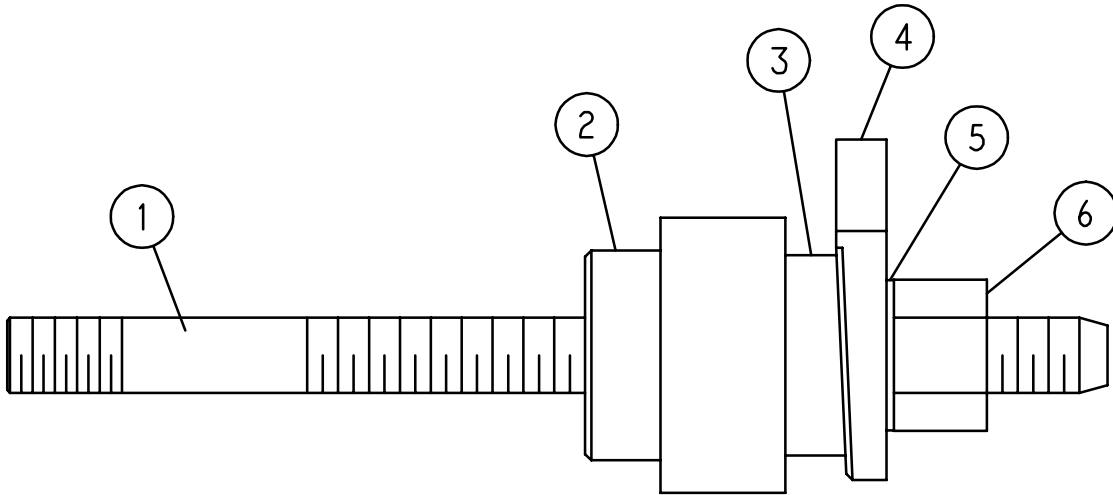
315TEE810-A
(Ref. Drawing)

LUBRICATOR (Optional Equipment)

Ref. No.	Name of Part	Qty.	Part No.
	LUBRICATOR GROUP (Includes the Following Items)	1	TEE90984
1	BRACKET-LUBRICATOR	1	200TEE403
2	SCREW, Bracket to Frame (1/2 x 1)	2	655EE040
3	WASHER	4	95A5
4	SCREW	2	655ED040
5	WASHER	2	95A3
6	LUBRICATOR, Force Feed	1	40G99
7	SCREW, Lubricator to Bracket (5/16 x 7/8)	4	75A10
8	WASHER, Lubricator to Bracket Screw	4	95B2
9	WASHER	2	95A2
10	BRACKET, Lubricator Drive	1	200PEE017
11	SCREW, Plunger Coupling	2	655EE18Z
12	ROD END	2	BM11210A
13	SCREW	1	655ED060
14	WASHER-PLAIN	2	95A3
15	ROD-CONTROL, Lubricator	1	2005879
16	LOCKNUT, Control Rod	1	50B3
17	CONNECTOR (90°)	3	86A25
18	TUBING, Lubricator to Stuffing Box - Length Req. for One (1) Pump ...	20 Ft.	85D4A
*	SIGHT GLASS	1	40P15
19	STUD	2	79A466
20	WING NUT	2	50H1
21	INSPECTION PLATE	1	202TEE052
*	CONNECTOR-TUBE	3	86A1
*	VALVE-CHECK	3	90AR373

* Not shown.

Order by Part Number and Description. Reference Numbers are shown for your convenience only.



314TEE810
(Ref. Drawing)

VALVE SEAT PULLER (Optional Equipment)

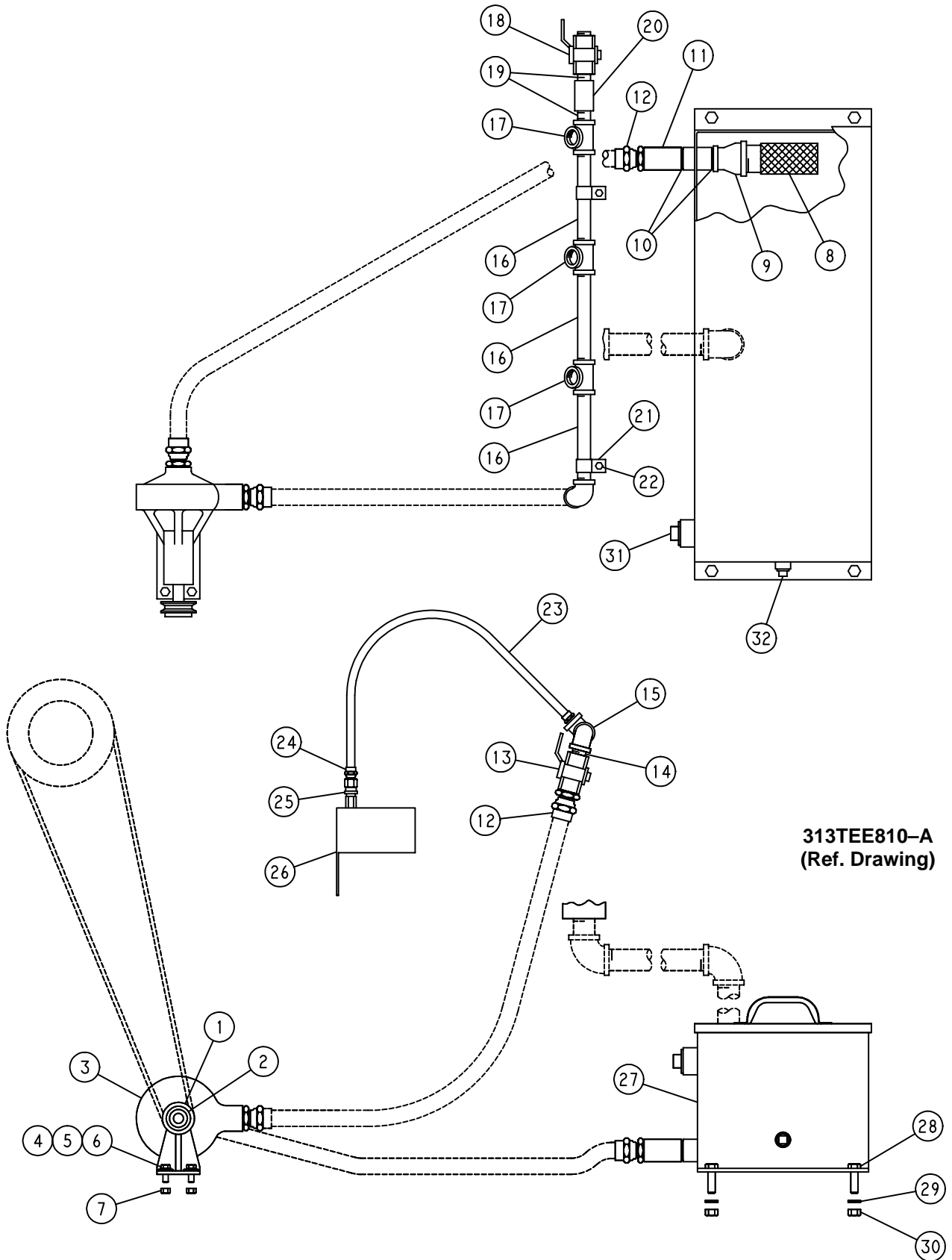
Ref. No.	Name of Part Pump	Qty.	Part No.	Part No.	Part No.
	PULLER GROUP, Incl. Ref. No. 1 thru 6	1	TEE73494	TEE68699	TEE68700
1	ROD	1	200TAE193	200TAE193	200TEE193
2	PLATE-PULLER	1	202TEE340	200TEE340	200TEE340
3	WASHER	1	200TAE244	200TAE244	200TAE244
4	WEDGE	1	200TAE091	200TAE091	200TAE091
5	WASHER-PLAIN	1	95U14	95U14	95U14
6	NUT	1	200TAE086	200TAE086	200TAE086
*	TAG-INSTRUCTION	1	201TAE304	201TAE304	201TAE304

* Not shown on illustration.

For Waterflood Medium Pressure Cast Aluminum Bronze and Waterflood High Pressure Block Steel use 16AUX206 Valve Cage Wrench.

For Waterflood Low Pressure Cast Aluminum Bronze, Well Service High Pressure Block Steel and Well Service High Pressure Cast Steel use 200TEE933 Valve Cage Wrench.

PISTON ROD WASH PIPING (Optional Equipment)



**313TEE810-A
(Ref. Drawing)**

Order by Part Number and Description. Reference Numbers are shown for your convenience only.

PISTON ROD WASH PIPING (Optional Equipment)

Ref. No.	Name of Part	Qty.	Part No.
1	SHEAVE-DRIVEN	1	73K1A30
2	BUSHING-SHEAVE	1	22E16B
3	CENTRIFUGAL PUMP	1	CA122
4	SCREW, Pump to Skid	4	655ED040
5	LOCKWASHER	4	95B3
6	WASHER	4	95A3
7	NUT	4	50B3
8	SCREEN, OIL	1	3WAJ511
9	REDUCER-PIPE	1	64N7
10	NIPPLE	2	63H1
11	COUPLING-PIPE	1	64AB4
12	ADAPTOR-HOSE	2	29Q9
13	VALVE	1	90A36
14	NIPPLE	1	63H25
15	ELBOW	1	64S5
16	NIPPLE	3	63G15
17	TEE	3	64P39
18	VALVE	1	90A25
19	NIPPLE	2	63G2
20	COUPLING-PIPE	1	64AB3
21	CLAMP	2	98H4
22	SCREW, Clamp to Frame	2	655EC020
23	HYDRAULIC HOSE ASSEMBLY	3	29R32
24	ADAPTOR-HOSE	3	29Q7
25	BUSHING-PIPE	3	64E2
26	BAFFLE	3	200TEE840
27	TANK ASSEMBLY, Lube Oil (Includes next item)	1	PA252A
	COVER-TANK	1	PA253
28	SCREW, Tank to Skid	4	655EE070
29	LOCKWASHER	4	95B5
30	NUT	4	50B5
31	PLUG	1	64A6
32	PLUG	1	64AA7
*	SHEAVE-AUXILIARY DRIVE	1	
*	BELT	1	
*	HYDRAULIC HOSE ASSEMBLY (1" With 1" FITTINGS)	1	
*	HYDRAULIC HOSE ASSEMBLY (1" With 1" FITTINGS)	1	
*	DRAIN, Return	1	

* Furnished by the customer.

CUSTOMER REPAIR INFORMATION

NOTE 1: TEE Pump Serial Numbers 917132 and later are equipped with Two Piece Crosshead / Extension Rods as shown on page 10.

Pump Serial Numbers previous to 917132 have One Piece Crosshead / Extension Rod.

300TEE6005 conversion kit must be used when repair crosshead is required for these earlier pumps.

300TEE6005 conversion kit includes (1) 300TEE005 Crosshead, (1) 300TEE839 Extension Rod and (1) 200TAE840 Baffle.

NOTE 2: PE840 Extension Rod Baffle is required for pumps that do not have Two Piece Crosshead / Extension Rod construction.

NOTE 3: These parts are not standard equipment, but are furnished when ordered. 301TEE005 Oversize Crosshead is available for all pumps with Serial Number 917132 and later.

301TEE6005 Conversion Kit is available for pumps which are equipped with One Piece Crosshead / Extension Rod. This conversion kit includes (1) 301TEE005 Crosshead, (1) 300TEE839 Crosshead Extension Rod and (1) 200TAE840 Baffle.

GARDNER DENVER UNIT RECORD

The following unit identification plate is provided as a convenience to you, our valued Gardner Denver customer. Please take the time to copy all the information from the actual nameplate of your unit. The model number, date manufactured and serial number will be required when contacting the company or your distributor for information or replacement parts.

DANGER-READ INSTRUCTION MANUAL BEFORE MOVING OR OPERATING UNIT						
MODEL	<input style="width: 90%;" type="text"/>	DATE MFG	<input style="width: 90%;" type="text"/>	SERIAL NO.	<input style="width: 95%;" type="text"/>	
ID NO.	<input style="width: 90%;" type="text"/>	MAX TEMP	<input style="width: 90%;" type="text"/>	C/CASE OIL CAP. GAL	<input style="width: 95%;" type="text"/>	
SERVICE	RATED MAX INPUT BHP	RATED MAX INPUT RPM	RATED MAX PUMP RPM	DISCHARGE MAX PSI W.P. OF FLUID CYL.	SUCTION MAX PSI W.P. OF FLUID CYL.	MAX INPUT RPM AT MAX PRESSURE
CONTINUOUS	<input style="width: 90%;" type="text"/>	<input style="width: 90%;" type="text"/>	<input style="width: 90%;" type="text"/>	<input style="width: 90%;" type="text"/>	<input style="width: 90%;" type="text"/>	<input style="width: 90%;" type="text"/>
INTERMITTENT	<input style="width: 90%;" type="text"/>	<input style="width: 90%;" type="text"/>	<input style="width: 90%;" type="text"/>	<input style="width: 90%;" type="text"/>	<input style="width: 90%;" type="text"/>	<input style="width: 90%;" type="text"/>
DISPLACEMENT & PRESSURE AT RATED RPM, SEE O-M MANUAL FOR ADDITIONAL SPECIFICATIONS						
SIZE	<input style="width: 90%;" type="text"/>	<input style="width: 90%;" type="text"/>	<input style="width: 90%;" type="text"/>	<input style="width: 90%;" type="text"/>	<input style="width: 90%;" type="text"/>	<input style="width: 90%;" type="text"/>
GPM	<input style="width: 90%;" type="text"/>	<input style="width: 90%;" type="text"/>	<input style="width: 90%;" type="text"/>	<input style="width: 90%;" type="text"/>	<input style="width: 90%;" type="text"/>	<input style="width: 90%;" type="text"/>
PSI	<input style="width: 90%;" type="text"/>	<input style="width: 90%;" type="text"/>	<input style="width: 90%;" type="text"/>	<input style="width: 90%;" type="text"/>	<input style="width: 90%;" type="text"/>	<input style="width: 90%;" type="text"/>
INTERMITTENT DUTY MAXIMUM PRESSURE, SEE O-M MANUAL FOR ADDITIONAL SPECIFICATIONS						
PSI	<input style="width: 90%;" type="text"/>	<input style="width: 90%;" type="text"/>	<input style="width: 90%;" type="text"/>	<input style="width: 90%;" type="text"/>	<input style="width: 90%;" type="text"/>	<input style="width: 90%;" type="text"/>
Gardner Denver				PURCHASER ID NO.		<input style="width: 95%;" type="text"/>
2000PA496	Gardner Denver Machinery Inc. Quincy, Illinois					MADE IN USA
GIVE MODEL, ID NO. AND SERIAL NO. WHEN ORDERING REPAIR PARTS OR SERVICE						

**2000PA496
(Ref. Drawing)**

Gardner

Denver

For additional information contact your local representative or Gardner Denver Machinery Inc., Customer Service Department, 1800 Gardner Expressway, Quincy, Illinois 62301
Telephone: (800) 682-9868 FAX: (217) 224-7814



Sales and Service in all major cities.

For parts information, contact Gardner Denver, Master Distribution Center, Memphis, TN
Telephone: (800) 245-4946 FAX: (901) 542-6159

Specifications subject to change without notice.
Copyright 1998 Gardner Denver Machinery Inc.

Litho in U.S.A.